



WORLDWIDE ELECTRIC MOTOR DATA SHEET

PEWWE150-9-449T



HORSEPOWER	150		
RPM / POLES	900 / 8		
VOLTAGE / PHASE	230 / 460 V / 3		
FRAME	449T		
ENCLOSURE / DEGREE OF PROTECTION	TEFC / IP55		
FREQUENCY	60 HZ Suitable For 50 HZ Operation With 1.0 SF		
FULL LOAD SPEED	890 RPM		
SERVICE FACTOR	1.15		
INSULATION CLASS	F		
FULL LOAD AMPS; 230 / 460	388 / 194 A		
LOCKED ROTOR AMPS (STARTING); 230 / 460	2170 / 1085 A		
NO LOAD CURRENT	180 / 90.0 A		
NEMA CODE LETTER	G		
EFFICIENCY / POWER FACTOR	<u>LOAD</u>	<u>EFF.</u>	<u>P.F.</u>
	100%	94.1%	0.77
	75%	94.2%	0.71
	50%	93.8%	0.60
DUTY CYCLE	CONTINUOUS		
TORQUE	<u>FULL LOAD</u>	<u>LRT</u>	<u>BDT</u>
	885 lb.ft.	190%	250%
SLIP	1.11%		
NEMA DESIGN	B		
MOMENT OF INERTIA	103 lb.ft. ²		
SOUND PRESSURE LEVEL	76 dB(A)		
MAX. TIME LOCKED ROTOR (Hot)	10 Seconds		
MAX. AMBIENT TEMPERATURE	40° C		
MAX. ELEVATION	3300 Ft. Above Sea Level		
TEMPERATURE RISE (At Full Load)	80° C		
DE BEARING	NU320 C3		
ODE BEARING	6320 C3		
REGREASING INT. - DE BEARING	2,200 Hours (1.82 oz.)		
REGREASING INT. - ODE BEARING	3,000 Hours (1.61 oz.)		
GREASE TYPE	Mobil Polyrex EM		
MOUNTING	F1		
ROTATION	Bi-Directional		
C-FLANGE	PEW449TC		
D-FLANGE	PEW449TD		
SHAFT MATERIAL	4140 Carbon Steel		
CONNECTION DIAGRAM	230 / 460 V - 12 Lead Δ		
APPROXIMATE WEIGHT	2486 lbs.		
INVERTER RATING	2:1 CT / 4:1 VT PWM Type		



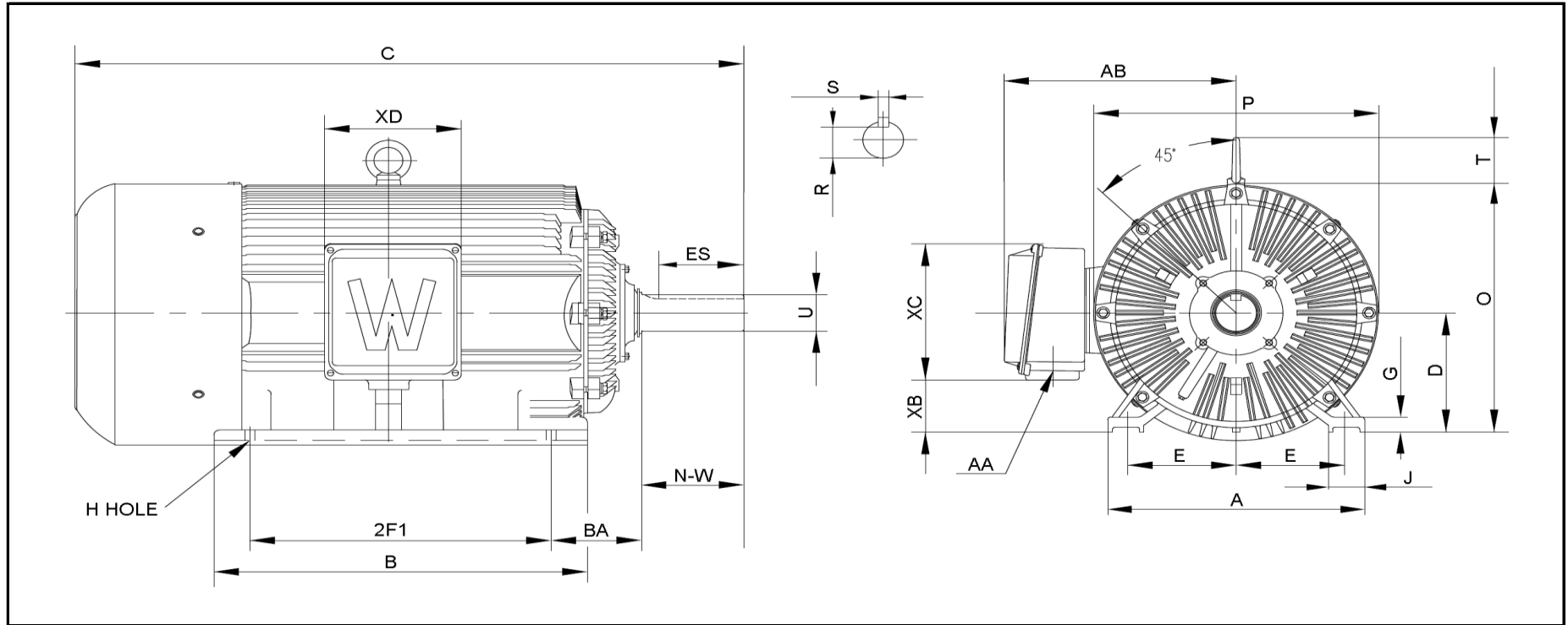
CC006A





WORLDWIDE ELECTRIC MOTOR DRAWING

PEWWE-449T



DIMENSIONS - INCHES

MOUNTING					A	B	C	D	G	J	P	O	T	AB
E	2F1	2F2	H	BA										
9	25	---	0.81	7.5	22	31	58	11	1.575	3.35	24	23	4.25	19.5

KEY		KEYSET	SHAFT		TERMINAL BOX				
S	ES	R	N-W	U	AA	XB	XC	XD	XE
0.875	7.01	2.88	8.5	3.375	2 x 3"	4.7	12	11.5	---