



WORLDWIDE ELECTRIC MOTOR DATA SHEET



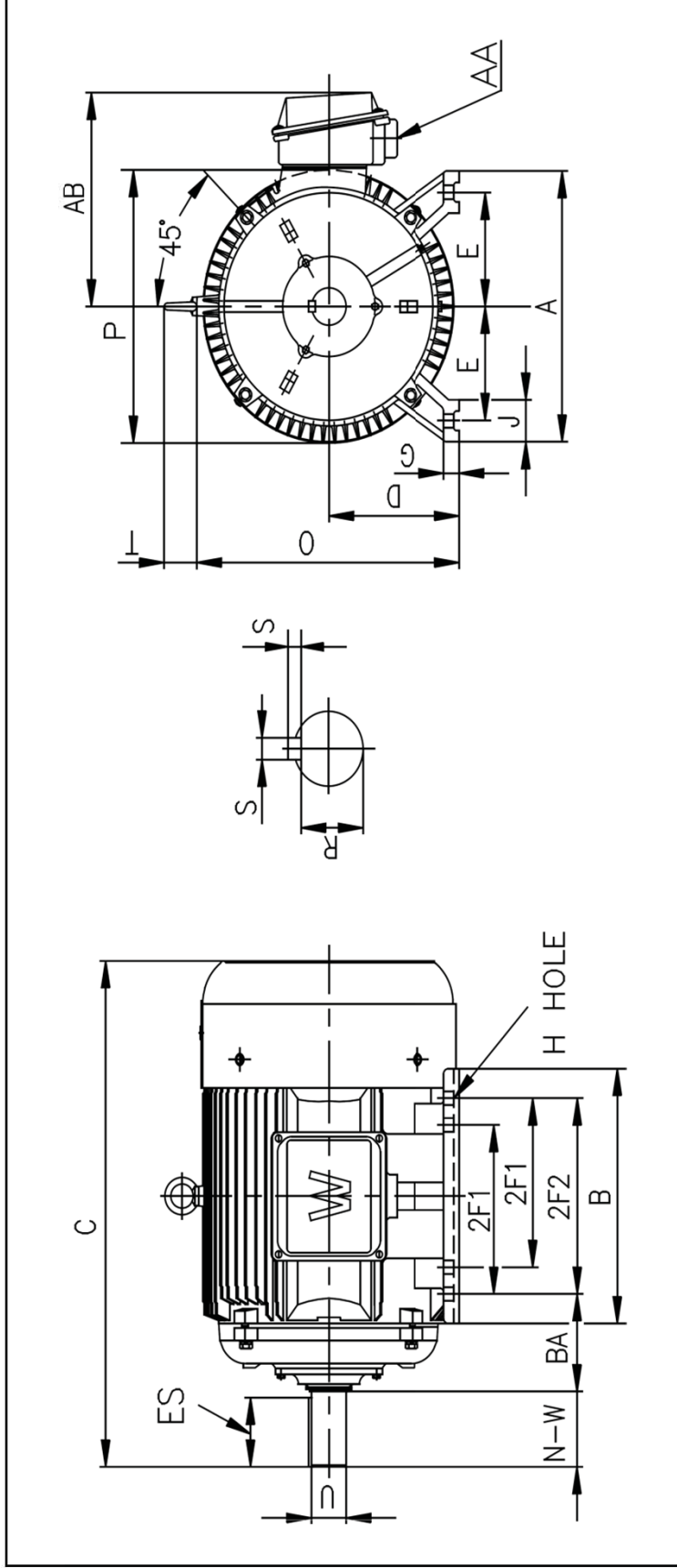
WWELUC25-12-324T

HP	25	
RPM / POLES	1200 / 6	
VOLTAGE / PHASE	230 / 460 / 796 V / 3	
FRAME	324T	
ENCLOSURE	TEFC (IP54)	
FREQUENCY	60 HZ	
RATED SPEED	1120 RPM	
FULL LOAD AMPS	65.2 / 32.6 / 18.8 A	
DUTY CYCLE	CONTINUOUS	
SERVICE FACTOR	1.15	
INSULATION CLASS	F	
AMBIENT TEMP.	40° C	
ALTITUDE	3300 FT.	
TEMP. RISE @ FULL LOAD	80° C	
DESIGN	D	
RATED TORQUE	117.2 LB. FT.	
LOCKED ROTOR TORQUE	321%	
BREAKDOWN TORQUE	360%	
LOCKED ROTOR AMPS (STARTING)	390 / 195 / 113 A	
IL / IN	6.0 / CODE G	
SLIP	6.59%	
NO LOAD CURRENT	32.0 / 16.0 / 9.2 A	
MAX. TIME LOCKED ROTOR (HOT)	20 SECONDS	
DE BEARING	6312	
ODE BEARING	6312	
REGREASING INT. - DE BEARING	7,000 HOURS	
REGREASING INT. - ODE BEARING	7,000 HOURS	
MOUNTING	F2 (F1 SUITABLE)	
ROTATION	CW / CCW	
MOMENT OF INERTIA	10.58 LB. FT. SQUARED	
C-FLANGE	---	
D-FLANGE	---	
SHAFT MATERIAL	1045 CARBON STEEL	
CONNECTION DIAGRAM	230 / 460 V - 12 LEAD Δ	
APPROX. WEIGHT	610 LBS.	
LOAD	POWER FACTOR	EFFICIENCY (%)
100%	0.81	88.36
75%	0.74	89.22
50%	0.62	88.87





WORLDWIDE ELECTRIC MOTOR DRAWING
WWELUC-324T



MOUNTING					
E	2F1	2F2	H	BA	AB
6.25	10.5	12	0.66	5.25	12.795

A	B	C	D	G	J
15.275	13.9	31.02	8	0.984	2.76

KEY			KEYSEAT		SHAFT	
O	P	T	AA	AB	ES	S
16.27	15.74	2.46	2	12.795	3.91	0.5
					R	
					1.845	
					N-W	
					5.25	
					2.125	

ALL DIMENSIONS IN INCHES