



WORLDWIDE ELECTRIC MOTOR DATA SHEET



OW50-12-404T

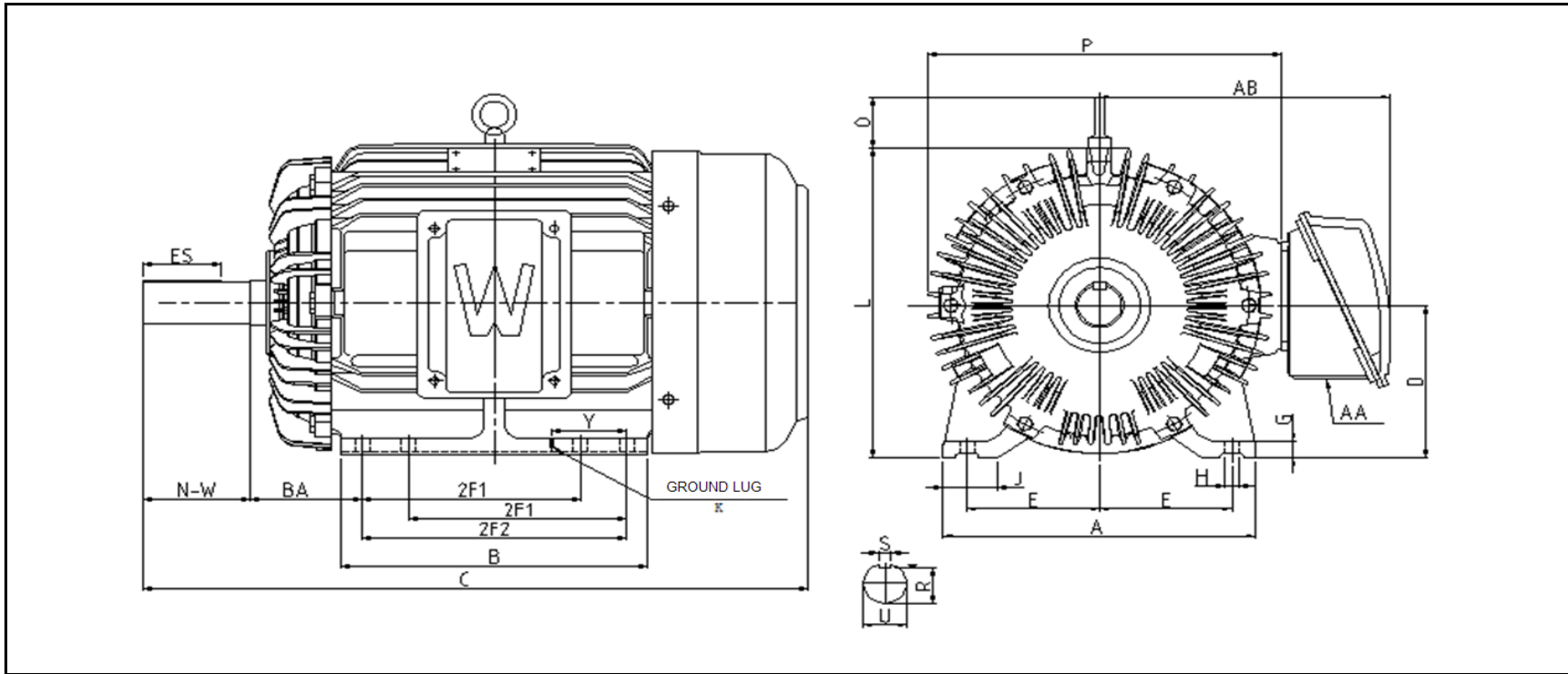
HORSEPOWER	50		
RPM / POLES	1200 / 6		
VOLTAGE / PHASE	230 / 460 / 796 V / 3		
FRAME	404T		
ENCLOSURE / DEGREE OF PROTECTION	TEFC / IP55		
FREQUENCY	60 HZ Suitable For 50 HZ Operation With 1.0 SF		
FULL LOAD SPEED	1134 RPM		
SERVICE FACTOR	1.15		
INSULATION CLASS	F		
FULL LOAD AMPS; 230 / 460 / 796	115.6 / 57.8 / 33.4 A		
LOCKED ROTOR AMPS (STARTING); 230 / 460 / 796	706.4 / 353.2 / 203.8 A		
NO LOAD CURRENT	33.6 / 16.8 / 9.7 A		
NEMA CODE LETTER	G		
EFFICIENCY / POWER FACTOR	<u>LOAD</u>	<u>EFF.</u>	<u>P.F.</u>
	100%	91.3%	0.89
	75%	91.4%	0.87
	50%	90.3%	0.81
DUTY CYCLE	CONTINUOUS		
TORQUE	<u>FULL LOAD</u>	<u>LRT</u>	<u>BDT</u>
	315.6 N.m	272%	277%
SLIP	5.47%		
NEMA DESIGN	D		
MOMENT OF INERTIA			
MAX. TIME LOCKED ROTOR (Hot)	20 Seconds		
MAX. AMBIENT TEMPERATURE	40° C		
MAX. ELEVATION	3300 Ft. Above Sea Level		
TEMPERATURE RISE (At Full Load)	63° C		
DE BEARING	NU316		
ODE BEARING	6313		
REGREASING INT. - DE BEARING	7,000 Hours		
REGREASING INT. - ODE BEARING	7,000 Hours		
GREASE TYPE	Mobil Polyrex EM		
MOUNTING	F2 (F1 Suitable)		
ROTATION	Bi-Directional		
SHAFT MATERIAL	1045 Carbon Steel		
CONNECTION DIAGRAM	230 / 460 V - 12 Lead Δ		
APPROXIMATE WEIGHT	957 lbs. (1005 lbs. Crated)		
INVERTER RATING	10:1 CT / 20:1 VT PWM Type		





WORLDWIDE ELECTRIC MOTOR DRAWING

OW-404T



DIMENSIONS - INCHES

MOUNTING					A	B	C	D	G	K
E	2F1	2F2	H	BA						
8	12.25	13.75	0.81	6.62	18.89	17.32	40.75	10	1.181	M12

KEYSET	KEY		U	N-W	P	AB	AA	L	J	O	Y
	R	ES									
2.45	5.65	0.75	2.875	7.25	20.27	18.215	3	21.65	3.937	2.795	3.56