



WORLDWIDE ELECTRIC MOTOR DATA SHEET



OW15-12-284T

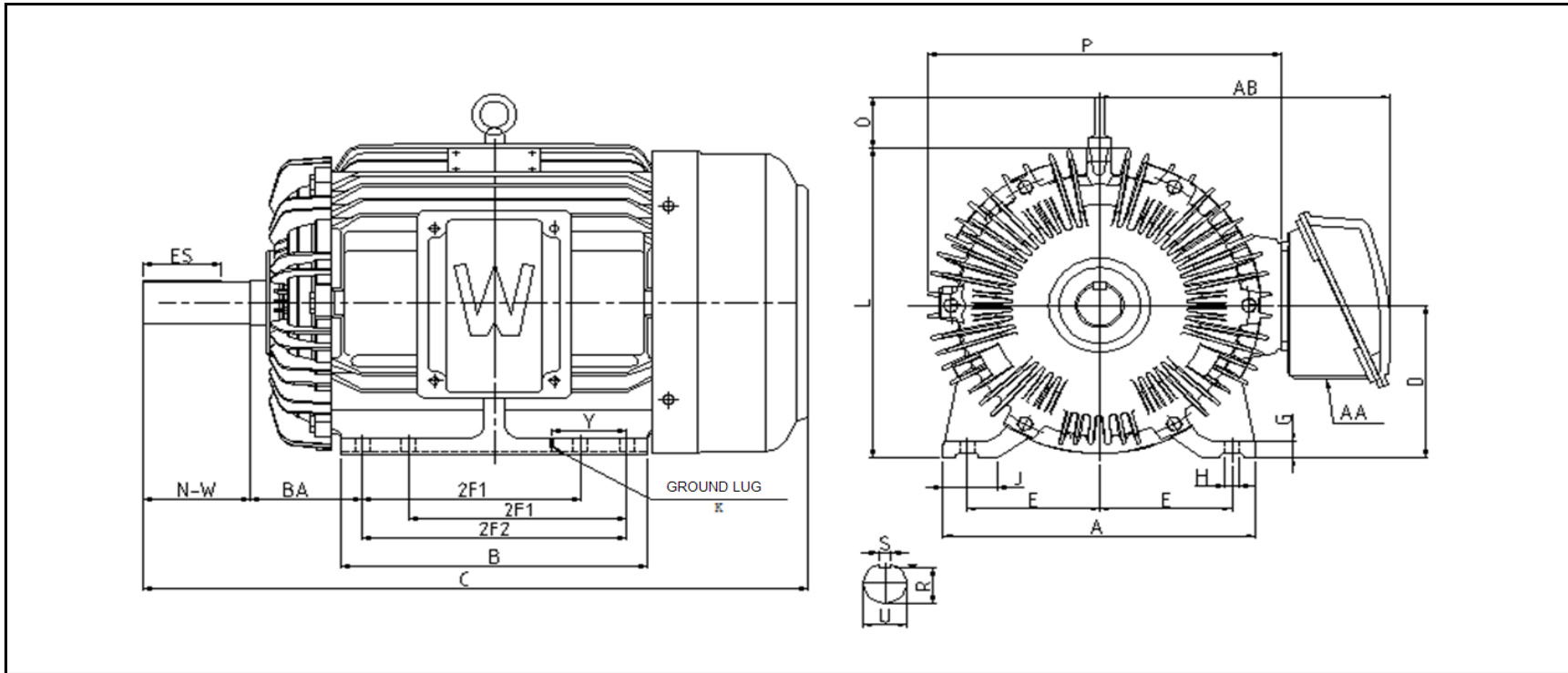
HORSEPOWER	15		
RPM / POLES	1200 / 6		
VOLTAGE / PHASE	230 / 460 / 796 V / 3		
FRAME	284T		
ENCLOSURE / DEGREE OF PROTECTION	TEFC / IP55		
FREQUENCY	60 HZ Suitable For 50 HZ Operation With 1.0 SF		
FULL LOAD SPEED	1133 RPM		
SERVICE FACTOR	1.15		
INSULATION CLASS	F		
FULL LOAD AMPS; 230 / 460 / 796	39.0 / 19.5 / 11.3 A		
LOCKED ROTOR AMPS (STARTING); 230 / 460 / 796	248.6 / 124.3 / 71.8 A		
NO LOAD CURRENT	12.5 / 6.26 / 3.6 A		
NEMA CODE LETTER	G		
EFFICIENCY / POWER FACTOR	<u>LOAD</u>	<u>EFF.</u>	<u>P.F.</u>
	100%	87.7%	0.81
	75%	88.9%	0.78
	50%	88.6%	0.71
DUTY CYCLE	CONTINUOUS		
TORQUE	<u>FULL LOAD</u>	<u>LRT</u>	<u>BDT</u>
	92.7 N.m	302%	255%
SLIP	5.54%		
NEMA DESIGN	D		
MOMENT OF INERTIA			
MAX. TIME LOCKED ROTOR (Hot)	20 Seconds		
MAX. AMBIENT TEMPERATURE	40° C		
MAX. ELEVATION	3300 Ft. Above Sea Level		
TEMPERATURE RISE (At Full Load)			
DE BEARING	6311		
ODE BEARING	6310		
REGREASING INT. - DE BEARING	8,000 Hours		
REGREASING INT. - ODE BEARING	8,000 Hours		
GREASE TYPE	Mobil Polyrex EM		
MOUNTING	F2 (F1 Suitable)		
ROTATION	Bi-Directional		
SHAFT MATERIAL	1045 Carbon Steel		
CONNECTION DIAGRAM	230 / 460 V - 12 Lead Δ		
APPROXIMATE WEIGHT	409 lbs. (449 lbs. Crated)		
INVERTER RATING	10:1 CT / 20:1 VT PWM Type		





WORLDWIDE ELECTRIC MOTOR DRAWING

OW-284T



DIMENSIONS - INCHES

MOUNTING					A	B	C	D	G	K
E	2F1	2F2	H	BA						
5.5	9.5	11	0.53	4.75	13.97	13.18	29.1	7	0.7795	M6

KEYSET	KEY		U	N-W	P	AB	AA	L	J	O	Y
	R	ES									
1.5909	3.28	0.5	1.8748	4.62	14.56	12.02	1 1/2	14.02	3.07	2.48	2.756