



WORLDWIDE ELECTRIC MOTOR DATA SHEET



WPMDC13-18-180V-56CB

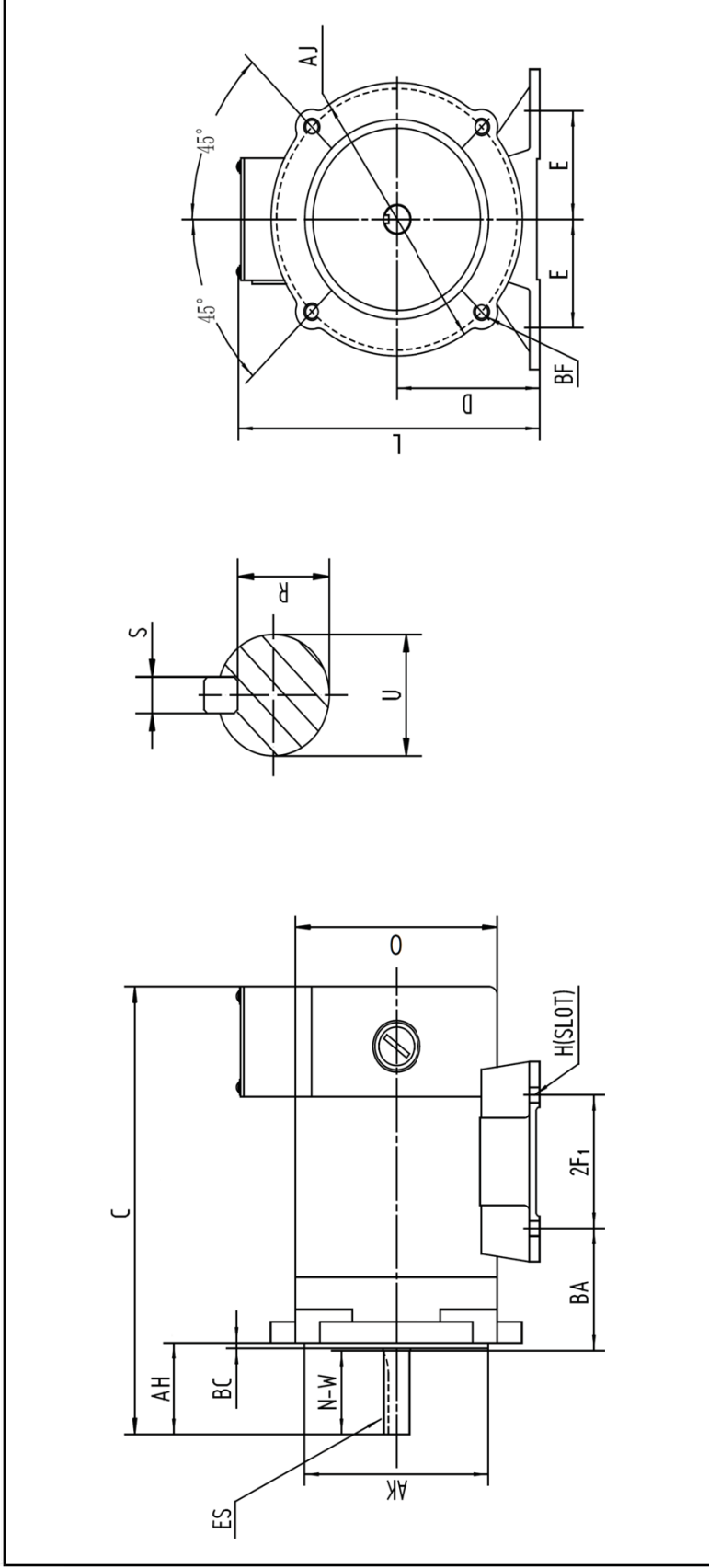
HP	1/3
RPM / POLES	1800 / 4
ARMATURE VOLTAGE	180 V
FRAME	56C
ENCLOSURE	TENV / IP54
ARMATURE FULL LOAD AMPS	1.8 A
FULL LOAD TORQUE	0.97 LB. FT.
FORM FACTOR	1.0
SERVICE FACTOR	1.0
INSULATION CLASS	F
AMBIENT TEMP.	40° C
BASE TYPE	C-FACE - REMOVABLE
SHAFT	KEYED
DE BEARING	6203
ODE BEARING	6203
MOUNTING	F3
ROTATION	CW / CCW
WIRE TYPE	LOOSE WIRE
WIRE HOUSING	JUNCTION BOX
APPROX. WEIGHT	19 LBS.
FL EFFICIENCY	82.0%



REVISED - 07/25/16



WORLDWIDE ELECTRIC MOTOR DRAWING
WPMDC13-18-180V-56CB



MOUNTING						
E	E2	2F1	2F2	2F3	H	O
2.44	---	3	---	---	0.34	4.94

KEY		KEYSEAT		FLANGE			SHAFT	
AH	BC	ES	S	R	AJ	AK	BF	U
2.06	0.12	1.41	0.188	0.517	5.875	4.5	3/8-16	1.88

ALL DIMENSIONS IN INCHES