



WORLDWIDE ELECTRIC MOTOR DATA SHEET

IXPEWWE150-18-444/5TBB



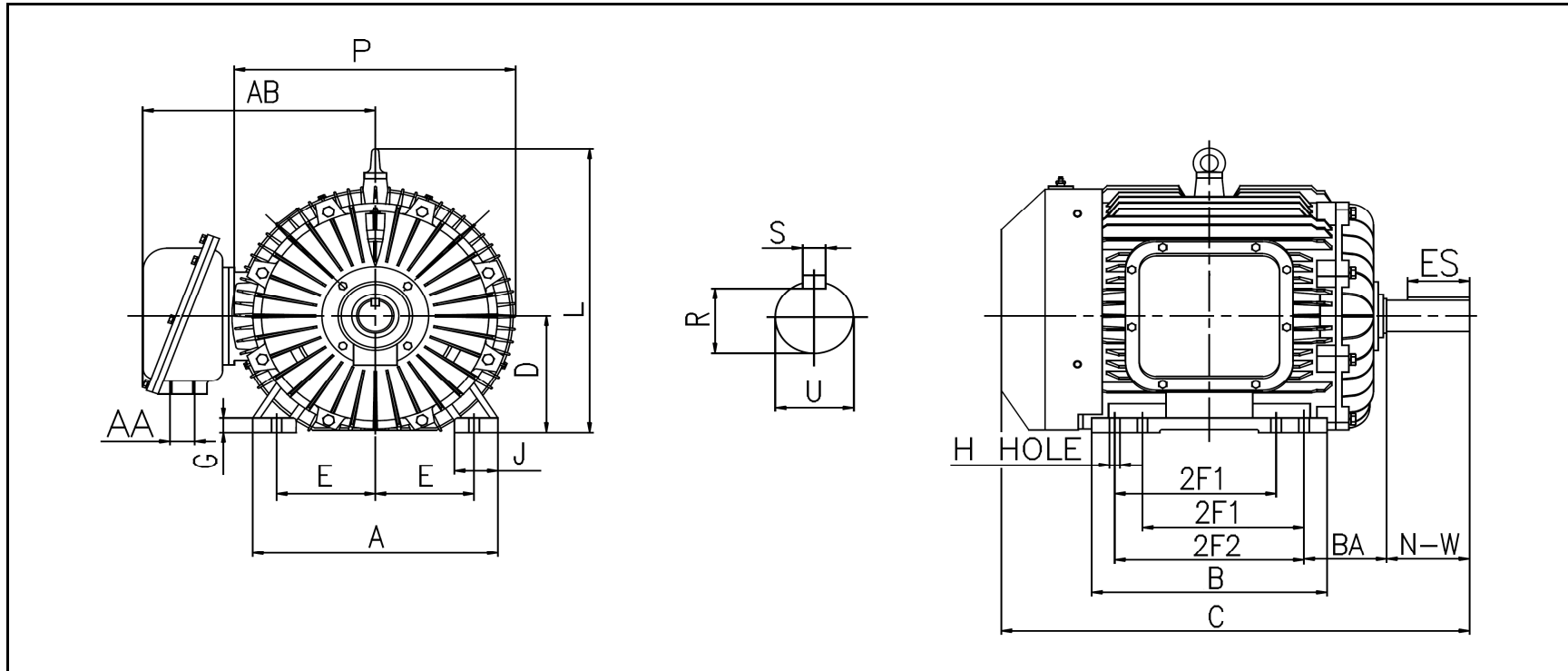
HORSEPOWER	150		
RPM / POLES	1800 / 4		
VOLTAGE / PHASE	460 V / 3		
FRAME	444/5T		
ENCLOSURE / DEGREE OF PROTECTION	TEFC / IP55		
FREQUENCY	60 HZ Suitable For 50 HZ Operation With 1.0 SF		
FULL LOAD SPEED	1789 RPM		
SERVICE FACTOR	1.15 SF		
INSULATION CLASS	F		
FULL LOAD AMPS	163 A		
LOCKED ROTOR AMPS (STARTING)	1085 A		
NO LOAD CURRENT			
NEMA CODE LETTER	G		
EFFICIENCY / POWER FACTOR	<u>LOAD</u>	<u>EFF.</u>	<u>P.F.</u>
	100%	95.8%	0.86
	75%	95.8%	0.86
	50%	95.7%	0.82
DUTY CYCLE	S1 / Continuous		
TORQUE	<u>FULL LOAD</u>	<u>LRT</u>	<u>BDT</u>
	440 lb.ft.	110%	200%
SLIP	0.61%		
NEMA DESIGN	B		
MOMENT OF INERTIA			
NUMBER OF STARTS (Hot / Cold)	1 Hot / 2 Cold (Per Hour)		
MAX. AMBIENT TEMPERATURE	40° C		
MAX. ELEVATION	3300 Ft. Above Sea Level		
TEMPERATURE RISE (At Full Load)	80° C		
DE BEARING	6318		
ODE BEARING	6314		
GREASE TYPE	Mobil Polyrex EM		
MOUNTING	F1		
ROTATION	Bi-Directional		
APPROXIMATE WEIGHT	1898 lbs.		
TEMPERATURE CODE AT 40°C AMBIENT	T3C		
TEMPERATURE CODE AT 55°C AMBIENT	T2C		
AREA CLASSIFICATION	Class I, Division I, Groups C & D		
	Class II, Division I, Groups F & G		
INVERTER RATING	5:1 CT / 10:1 VT PWM Type		





WORLDWIDE ELECTRIC MOTOR DRAWING

IXPEWWE-444/5T



MOUNTING					A	B	C	D	G	J
E	2F1	2F2	H	BA	21.3	22	47	11	1.38	3.35
9	14.5	16.5	0.81	7.5						

L	P	AA	AB	KEY	KEYSEAT	SHAFT	N-W	U
28	24	3	21.3	ES	R		8.5	3.375
				6.93	2.88			

ALL DIMENSIONS IN INCHES

REVISED - 09/16/16