



# WORLDWIDE ELECTRIC MOTOR DATA SHEET

## IXPEWWE150-36-444/5TS



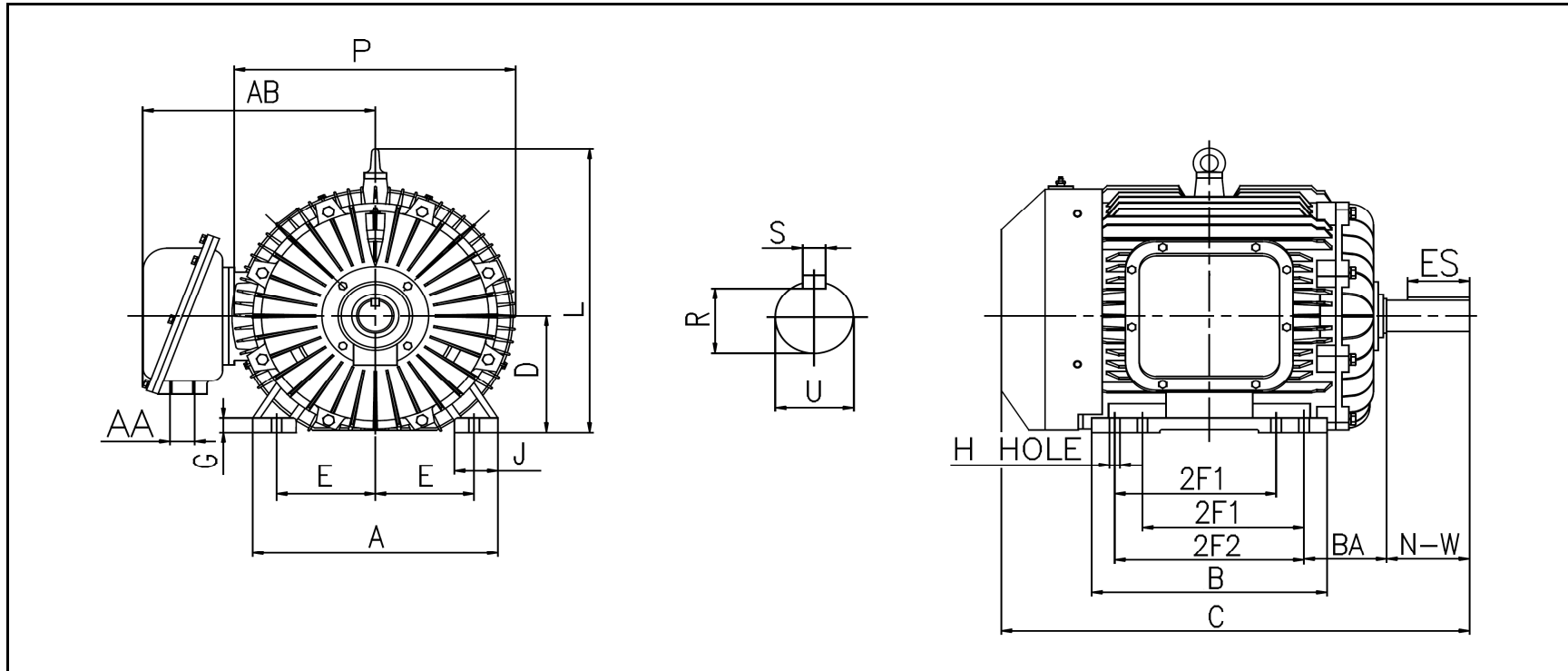
HORSEPOWER	150		
RPM / POLES	3600 / 2		
VOLTAGE / PHASE	460 V / 3		
FRAME	444/5TS		
ENCLOSURE / DEGREE OF PROTECTION	TEFC / IP55		
FREQUENCY	60 HZ Suitable For 50 HZ Operation With 1.0 SF		
FULL LOAD SPEED	3585 RPM		
SERVICE FACTOR	1.15 SF		
INSULATION CLASS	F		
FULL LOAD AMPS	160 A		
LOCKED ROTOR AMPS (STARTING)	1085 A		
NO LOAD CURRENT			
NEMA CODE LETTER	G		
EFFICIENCY / POWER FACTOR	<u>LOAD</u>	<u>EFF.</u>	<u>P.F.</u>
	100%	95.0%	0.87
	75%	94.9%	0.85
	50%	94.4%	0.86
DUTY CYCLE	S1 / Continuous		
TORQUE	<u>FULL LOAD</u>	<u>LRT</u>	<u>BDT</u>
	221 lb.ft.	100%	200%
SLIP	0.42%		
NEMA DESIGN	B		
MOMENT OF INERTIA			
NUMBER OF STARTS (Hot / Cold)	1 Hot / 2 Cold (Per Hour)		
MAX. AMBIENT TEMPERATURE	40° C		
MAX. ELEVATION	3300 Ft. Above Sea Level		
TEMPERATURE RISE (At Full Load)	80° C		
DE BEARING	6314		
ODE BEARING	6314		
GREASE TYPE	Mobil Polyrex EM		
MOUNTING	F1		
ROTATION	Bi-Directional		
APPROXIMATE WEIGHT	1830 lbs.		
TEMPERATURE CODE AT 40°C AMBIENT	T3C		
TEMPERATURE CODE AT 55°C AMBIENT	T2C		
AREA CLASSIFICATION	Class I, Division I, Groups C & D		
	Class II, Division I, Groups F & G		
INVERTER RATING	5:1 CT / 10:1 VT PWM Type		





WORLDWIDE ELECTRIC MOTOR DRAWING

**IXPEWWE-444/5TS**



MOUNTING					A	B	C	D	G	J
E	2F1	2F2	H	BA	21.3	22	43.3	11	1.38	3.35
9	14.5	16.5	0.81	7.5						

L	P	AA	AB	KEY	KEYSEAT	SHAFT	N-W	U
28	24	3	21.3	ES	S	R	4.75	2.375
				3.03	0.625	2.021		

ALL DIMENSIONS IN INCHES

REVISED - 09/16/16