



WORLDWIDE ELECTRIC MOTOR DATA SHEET

IXPEWWE100-18-405TBB



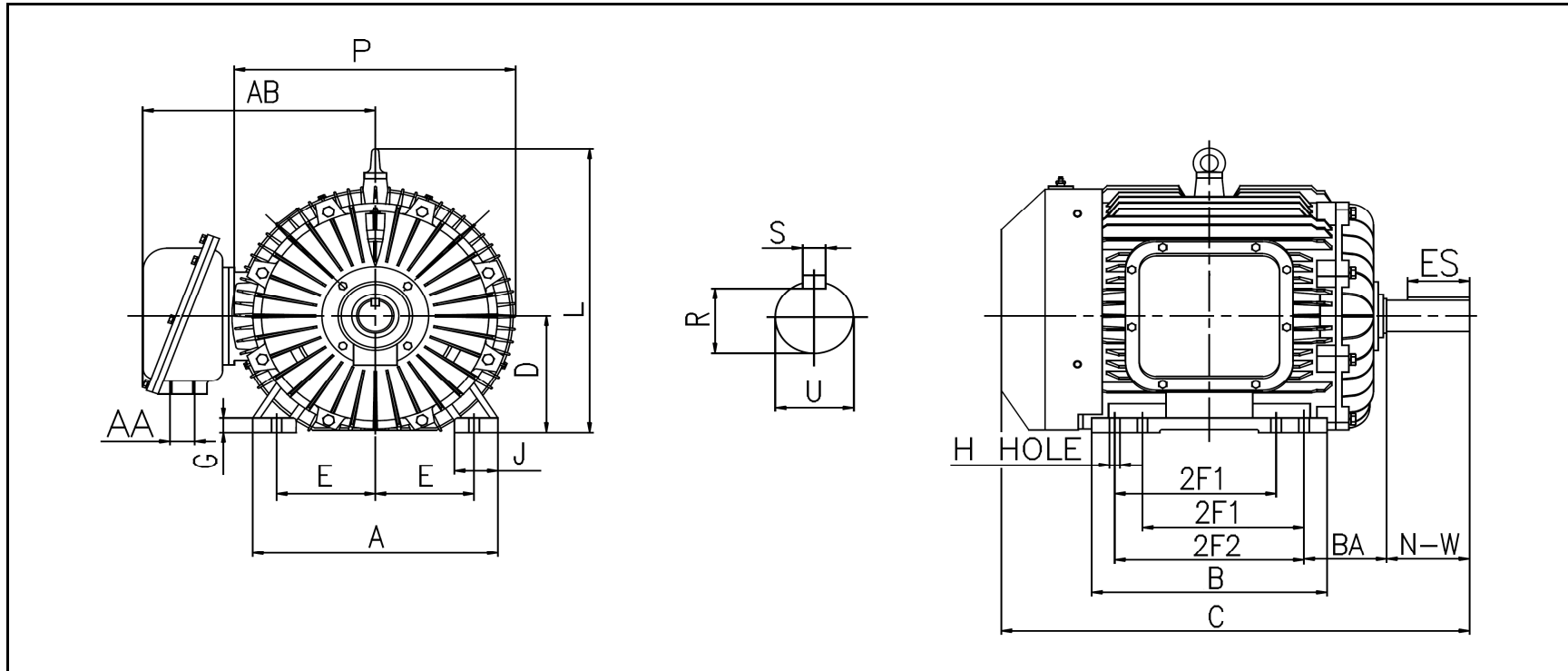
HORSEPOWER	100		
RPM / POLES	1800 / 4		
VOLTAGE / PHASE	230 / 460 V / 3		
FRAME	405T		
ENCLOSURE / DEGREE OF PROTECTION	TEFC / IP55		
FREQUENCY	60 HZ Suitable For 50 HZ Operation With 1.0 SF		
FULL LOAD SPEED	1790 RPM		
SERVICE FACTOR	1.15 SF		
INSULATION CLASS	F		
FULL LOAD AMPS	219 / 110 A		
LOCKED ROTOR AMPS (STARTING)	1450 / 725 A		
NO LOAD CURRENT			
NEMA CODE LETTER	G		
EFFICIENCY / POWER FACTOR	<u>LOAD</u>	<u>EFF.</u>	<u>P.F.</u>
	100%	95.4%	0.87
	75%	95.4%	0.85
	50%	94.8%	0.82
DUTY CYCLE	S1 / Continuous		
TORQUE	<u>FULL LOAD</u>	<u>LRT</u>	<u>BDT</u>
	293.4 lb.ft.	125%	200%
SLIP	0.56%		
NEMA DESIGN	B		
MOMENT OF INERTIA			
NUMBER OF STARTS (Hot / Cold)	1 Hot / 2 Cold (Per Hour)		
MAX. AMBIENT TEMPERATURE	40° C		
MAX. ELEVATION	3300 Ft. Above Sea Level		
TEMPERATURE RISE (At Full Load)	80° C		
DE BEARING	6316		
ODE BEARING	6314		
GREASE TYPE	Mobil Polyrex EM		
MOUNTING	F1		
ROTATION	Bi-Directional		
APPROXIMATE WEIGHT	1426 lbs.		
TEMPERATURE CODE AT 40°C AMBIENT	T3C		
TEMPERATURE CODE AT 55°C AMBIENT	T2C		
AREA CLASSIFICATION	Class I, Division I, Groups C & D		
	Class II, Division I, Groups F & G		
INVERTER RATING	5:1 CT / 10:1 VT PWM Type		





WORLDWIDE ELECTRIC MOTOR DRAWING

IXPEWWE-405T



MOUNTING					A	B	C	D	G	J
E	2F1	2F2	H	BA						
8	12.25	13.75	0.81	6.62	19.1	17	38.6	10	1.18	3.15

				KEY	KEYSEAT	SHAFT		
L	P	AA	AB	ES	S	R	N-W	U
25	21.8	3	18.7	5.71	0.75	2.45	7.25	2.875

ALL DIMENSIONS IN INCHES

REVISED - 09/16/16