



WORLDWIDE ELECTRIC MOTOR DATA SHEET

PEWWE50-36-326JM



HORSEPOWER	50		
RPM / POLES	3600 / 2		
VOLTAGE / PHASE	230 / 460 V / 3		
FRAME	326JM		
ENCLOSURE / DEGREE OF PROTECTION	TEFC / IP54		
FREQUENCY	60 HZ Suitable For 50 HZ Operation With 1.0 SF		
FULL LOAD SPEED	3545 RPM		
SERVICE FACTOR	1.15		
INSULATION CLASS	F		
FULL LOAD AMPS; 230 / 460	113 / 56.6 A (Usable On 208V At 125 A)		
LOCKED ROTOR AMPS (STARTING); 230 / 460	725 / 362.5 A		
NO LOAD CURRENT	30.2 / 15.1 A		
NEMA CODE LETTER	G		
EFFICIENCY / POWER FACTOR	<u>LOAD</u>	<u>EFF.</u>	<u>P.F.</u>
	100%	93.0%	0.89
	75%	93.4%	0.86
	50%	93.1%	0.80
DUTY CYCLE	CONTINUOUS		
TORQUE	<u>FULL LOAD</u>	<u>LRT</u>	<u>BDT</u>
	74.0 lb.ft.	180%	260%
SLIP	1.53%		
NEMA DESIGN	B		
MOMENT OF INERTIA	3.42 lb.ft. ²		
MAX. TIME LOCKED ROTOR (Hot)	9 Seconds		
SOUND PRESSURE LEVEL	77 dB(A)		
MAX. AMBIENT TEMPERATURE	40° C		
MAX. ELEVATION	3300 Ft. Above Sea Level		
TEMPERATURE RISE (At Full Load)	80° C		
DE BEARING	6312 C3		
ODE BEARING	6311 C3		
REGREASING INT. - DE BEARING	2,400 Hours		
REGREASING INT. - ODE BEARING	2,400 Hours		
GREASE TYPE	Mobil Polyrex EM		
MOUNTING	F1		
ROTATION	Bi-Directional		
SHAFT MATERIAL	1045 Carbon Steel		
CONNECTION DIAGRAM	230 / 460 V - 12 Lead Δ		
APPROXIMATE WEIGHT	534 lbs.		



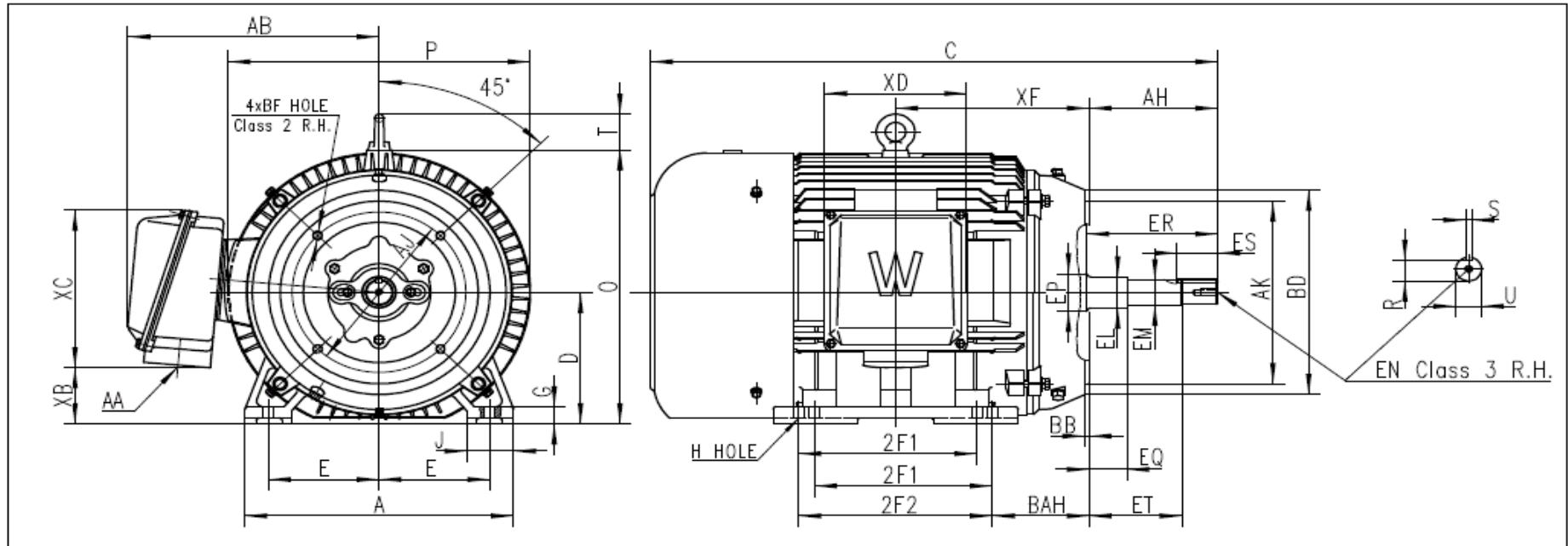
CC006A





WORLDWIDE ELECTRIC MOTOR DRAWING

PEWWE-326JM



DIMENSIONS - INCHES

MOUNTING					A	B	C	D	G	J	P	O	T	AH	AB	KEY			KEYSET
E	2F1	2F2	H	BAH												S	ES	R	
6.25	10.5	12	0.66	5.5	16	15	31.5	8	0.99	2.8	15.7	16	2.44	5.25	14.5	0.252	2.56	1.112	

FLANGE					SHAFT EXTENSION								AA	XB	XC	XD	XF
AK	AJ	BF	BB	BD	EQ	ET	EM	EL	EP	ER	EN	U					
12.5	11	5/8-11	0.275	13.8	0.625	3	1.375	1.75	2.36	5.47	1/2-13	1.249	2	2.4	10.8	9	11.5