



WORLDWIDE ELECTRIC MOTOR DATA SHEET



PEWWE40-36-324JP

HORSEPOWER	40		
RPM / POLES	3600 / 2		
VOLTAGE / PHASE	230 / 460 V / 3		
FRAME	324JP		
ENCLOSURE / DEGREE OF PROTECTION	TEFC / IP54		
FREQUENCY	60 HZ Suitable For 50 HZ Operation With 1.0 SF		
FULL LOAD SPEED	3545 RPM		
SERVICE FACTOR	1.15		
INSULATION CLASS	F		
FULL LOAD AMPS; 230 / 460	92.1 / 46.1 A (Usable On 208V At 102 A)		
LOCKED ROTOR AMPS (STARTING); 230 / 460	580 / 290 A		
NO LOAD CURRENT	27.6 / 13.8 A		
NEMA CODE LETTER	G		
EFFICIENCY / POWER FACTOR	<u>LOAD</u>	<u>EFF.</u>	<u>P.F.</u>
	100%	92.4%	0.88
	75%	92.8%	0.85
	50%	92.3%	0.78
DUTY CYCLE	CONTINUOUS		
TORQUE	<u>FULL LOAD</u>	<u>LRT</u>	<u>BDT</u>
	59.2 lb.ft.	180%	260%
SLIP	1.53%		
NEMA DESIGN	B		
MOMENT OF INERTIA	3.05 lb.ft. ²		
MAX. TIME LOCKED ROTOR (Hot)	11 Seconds		
SOUND PRESSURE LEVEL	77 dB(A)		
MAX. AMBIENT TEMPERATURE	40° C		
MAX. ELEVATION	3300 Ft. Above Sea Level		
TEMPERATURE RISE (At Full Load)	80° C		
DE BEARING	6312 C3		
ODE BEARING	6311 C3		
REGREASING INT. - DE BEARING	2,400 Hours		
REGREASING INT. - ODE BEARING	2,400 Hours		
GREASE TYPE	Mobil Polyrex EM		
MOUNTING	F1		
ROTATION	Bi-Directional		
SHAFT MATERIAL	1045 Carbon Steel		
CONNECTION DIAGRAM	230 / 460 V - 12 Lead Δ		
APPROXIMATE WEIGHT	485 lbs.		



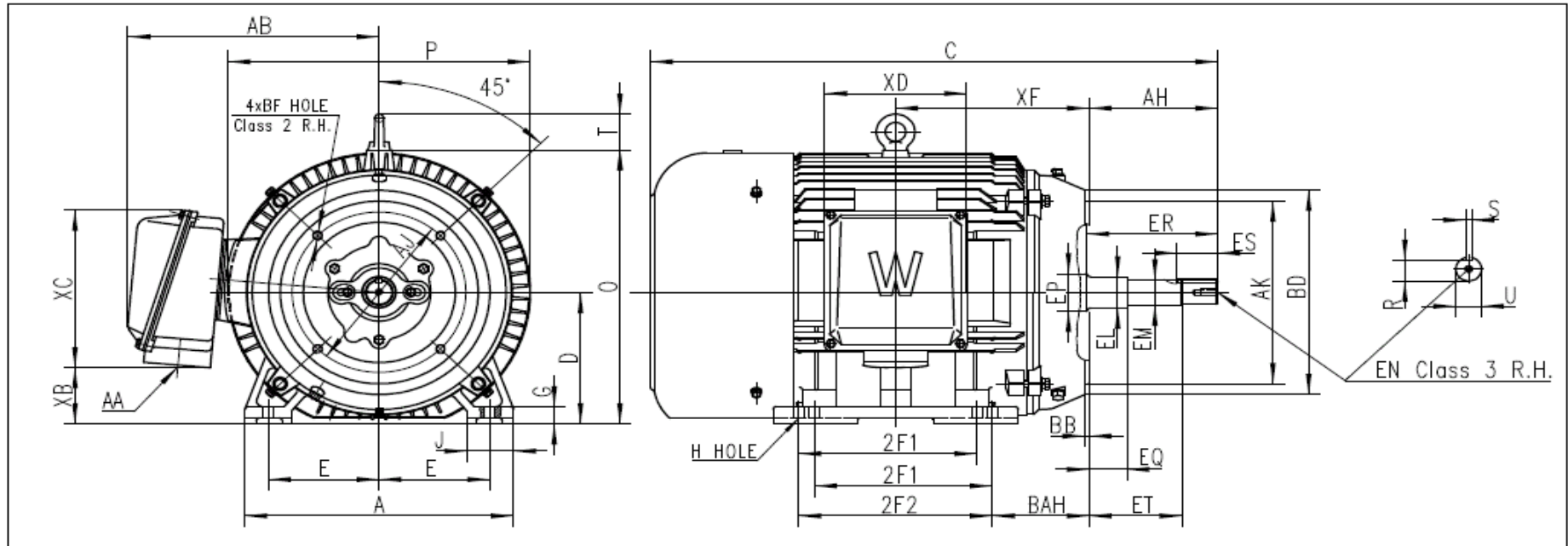
CC006A





WORLDWIDE ELECTRIC MOTOR DRAWING

PEWWE-324JP



DIMENSIONS - INCHES

MOUNTING					A	B	C	D	G	J	P	O	T	AH	AB	KEY			KEYSET
E	2F1	2F2	H	BAH												S	ES	R	
6.25	---	10.5	0.66	5.5	16	13.5	33	8	0.99	2.8	15.7	16	2.44	8.125	14.5	0.252	2.6	1.112	

FLANGE					SHAFT EXTENSION								AA	XB	XC	XD	XF
AK	AJ	BF	BB	BD	EQ	ET	EM	EL	EP	ER	EN	U					
12.5	11	5/8-11	0.275	13.8	2.375	5.875	1.375	1.75	2.36	8.34	1/2-13	1.249	2	2.4	10.8	9	10.7