



WORLDWIDE ELECTRIC MOTOR DATA SHEET



PEWWE15-18-254JP

HORSEPOWER	15
RPM / POLES	1800 / 2
VOLTAGE / PHASE	230 / 460 V / 3
FRAME	254JP
ENCLOSURE / DEGREE OF PROTECTION	TEFC / IP54
FREQUENCY	60 HZ Suitable For 50 HZ Operation With 1.0 SF
FULL LOAD SPEED	1765 RPM
SERVICE FACTOR	1.15
INSULATION CLASS	F
FULL LOAD AMPS; 230 / 460	36.2 / 18.1 A (Usable On 208V At 40.0 A)
LOCKED ROTOR AMPS (STARTING); 230 / 460	232 / 116 A
NO LOAD CURRENT	15 / 7.5 A
NEMA CODE LETTER	G
EFFICIENCY / POWER FACTOR	<u>LOAD</u> <u>EFF.</u> <u>P.F.</u>
	100% 92.4% 0.84
	75% 92.7% 0.79
DUTY CYCLE	50% 92.0% 0.69
	CONTINUOUS
TORQUE	<u>FULL LOAD</u> <u>LRT</u> <u>BDT</u>
	44.6 lb.ft. 190% 270%
SLIP	1.94%
NEMA DESIGN	B
MOMENT OF INERTIA	1.89 lb.ft. ²
MAX. TIME LOCKED ROTOR (Hot)	15 Seconds
SOUND PRESSURE LEVEL	70 dB(A)
MAX. AMBIENT TEMPERATURE	40° C
MAX. ELEVATION	3300 Ft. Above Sea Level
TEMPERATURE RISE (At Full Load)	80° C
DE BEARING	6309 C3
ODE BEARING	6209 C3
REGREASING INT. - DE BEARING	3,000 Hours
REGREASING INT. - ODE BEARING	3,000 Hours
GREASE TYPE	Mobil Polyrex EM
MOUNTING	F1
ROTATION	Bi-Directional
SHAFT MATERIAL	1045 Carbon Steel
CONNECTION DIAGRAM	230 / 460 V - 9 Lead Δ
APPROXIMATE WEIGHT	265 lbs.



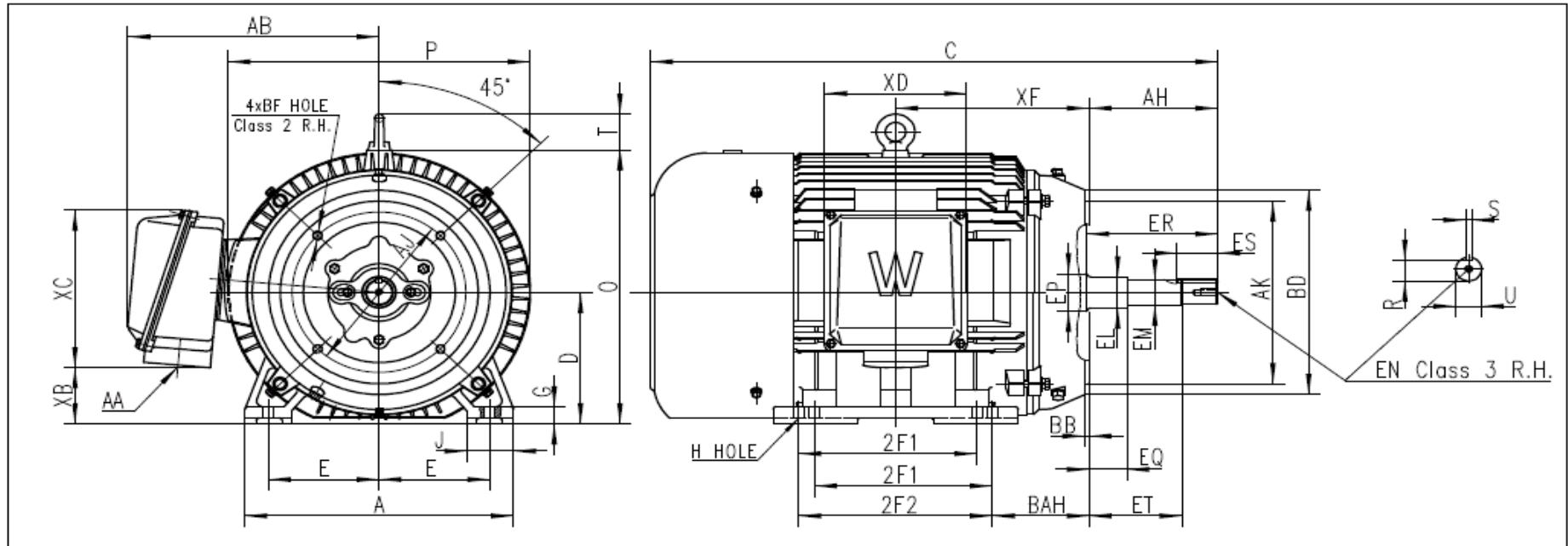
CC006A





WORLDWIDE ELECTRIC MOTOR DRAWING

PEWWE-254JP



DIMENSIONS - INCHES

MOUNTING					A	B	C	D	G	J	P	O	T	AH	AB	KEY			KEYSET
E	2F1	2F2	H	BAH												S	ES	R	
5	---	8.25	0.53	4.5	12.5	10.3	28	6.25	0.79	2.4	12.6	12.9	2.05	8.125	10.5	0.25	2.6	1.11	

FLANGE					SHAFT EXTENSION								AA	XB	XC	XD	XF
AK	AJ	BF	BB	BD	EQ	ET	EM	EL	EP	ER	EN	U					
8.5	7.25	1/2-13	0.275	10	2.375	5.875	1.375	1.75	1.772	8.28	1/2-13	1.249	1-1/2	3	7.4	6.3	8.6