



WORLDWIDE ELECTRIC MOTOR DATA SHEET



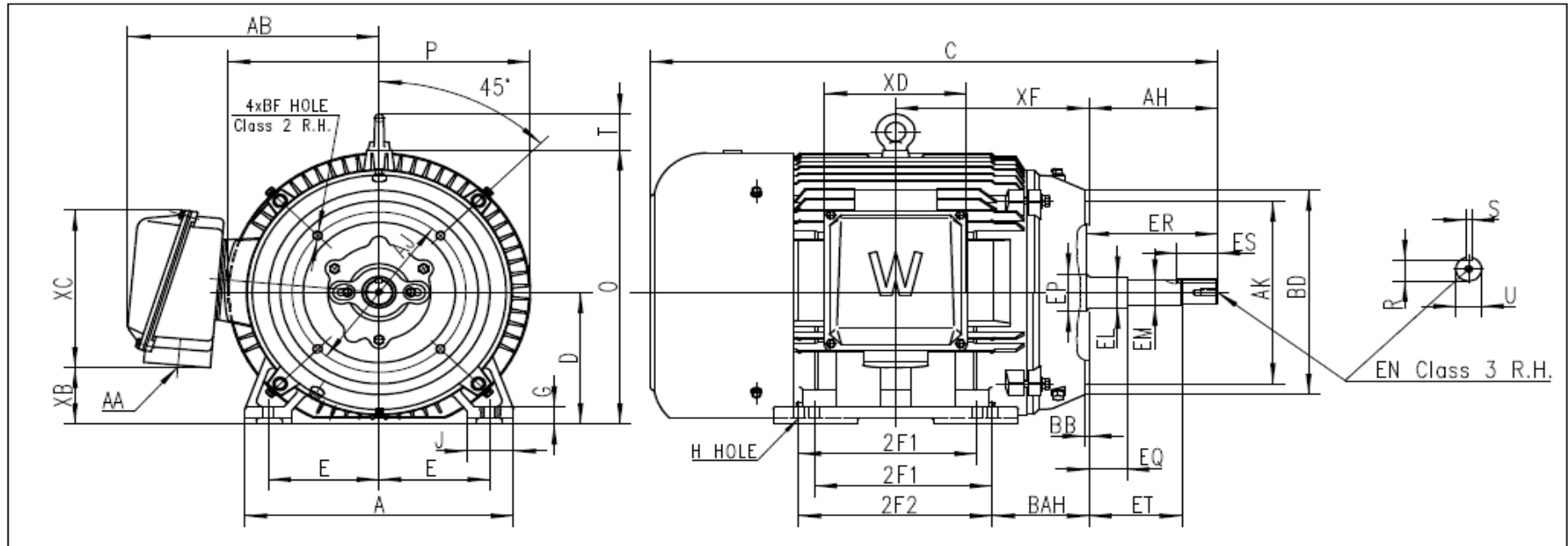
PEWWE5-18-184JP

HORSEPOWER	5
RPM / POLES	1800 / 4
VOLTAGE / PHASE	230 / 460 V / 3
FRAME	184JP
ENCLOSURE / DEGREE OF PROTECTION	TEFC / IP54
FREQUENCY	60 HZ Suitable For 50 HZ Operation With 1.0 SF
FULL LOAD SPEED	1755 RPM
SERVICE FACTOR	1.15
INSULATION CLASS	F
FULL LOAD AMPS; 230 / 460	12.6 / 6.3 A (Usable On 208V At 13.9 A)
LOCKED ROTOR AMPS (STARTING); 230 / 460	92.0 / 46.0 A
NO LOAD CURRENT	5.4 / 2.7 A
NEMA CODE LETTER	J
EFFICIENCY / POWER FACTOR	<u>LOAD</u> <u>EFF.</u> <u>P.F.</u>
	100% 89.5% 0.83
	75% 90.0% 0.77
DUTY CYCLE	50% 89.8% 0.66
	CONTINUOUS
TORQUE	<u>FULL LOAD</u> <u>LRT</u> <u>BDT</u>
	15.0 lb.ft. 200% 280%
SLIP	2.50%
NEMA DESIGN	B
MOMENT OF INERTIA	0.326 lb.ft. ²
MAX. TIME LOCKED ROTOR (Hot)	10 Seconds
SOUND PRESSURE LEVEL	63 dB(A)
MAX. AMBIENT TEMPERATURE	40° C
MAX. ELEVATION	3300 Ft. Above Sea Level
TEMPERATURE RISE (At Full Load)	80° C
DE BEARING	6307ZZ C3
ODE BEARING	6206ZZ C3
REGREASING INT. - DE BEARING	---
REGREASING INT. - ODE BEARING	---
GREASE TYPE	Mobil Polyrex EM
MOUNTING	F1
ROTATION	Bi-Directional
SHAFT MATERIAL	1045 Carbon Steel
CONNECTION DIAGRAM	230 / 460 V - 9 Lead Y
APPROXIMATE WEIGHT	104 lbs.



WORLDWIDE ELECTRIC MOTOR DRAWING

PEWWE-184JP



DIMENSIONS - INCHES

MOUNTING					A	B	C	D	G	J	P	O	T	AH	AB	KEY			KEYSET
E	2F1	2F2	H	BAH												S	ES	R	
3.75	4.5	5.5	0.41	3.37	9	8.2	21	4.5	0.6	2	9.7	9.5	1.42	7.31	8	0.188	1.65	0.768	

FLANGE					SHAFT EXTENSION								AA	XB	XC	XD	XF
AK	AJ	BF	BB	BD	EQ	ET	EM	EL	EP	ER	EN	U					
4.5	5.875	3/8-16	0.156	6.6	1.563	5.937	1	1.25	1.378	7.34	3/8-16	0.874	1	2.2	5.1	4.6	6.13