



WORLDWIDE ELECTRIC MOTOR DATA SHEET



PEWWE3-36-182JM

| | | | |
|---|--|-------------|-------------|
| HORSEPOWER | 3 | | |
| RPM / POLES | 3600 / 2 | | |
| VOLTAGE / PHASE | 230 / 460 V / 3 | | |
| FRAME | 182JM | | |
| ENCLOSURE / DEGREE OF PROTECTION | TEFC / IP54 | | |
| FREQUENCY | 60 HZ Suitable For 50 HZ Operation With 1.0 SF | | |
| FULL LOAD SPEED | 3505 RPM | | |
| SERVICE FACTOR | 1.15 | | |
| INSULATION CLASS | F | | |
| FULL LOAD AMPS; 230 / 460 | 7.64 / 3.82 A (Usable On 208V At 8.45 A) | | |
| LOCKED ROTOR AMPS (STARTING); 230 / 460 | 64.0 / 32.0 A | | |
| NO LOAD CURRENT | 3.4 / 1.7 A | | |
| NEMA CODE LETTER | K | | |
| EFFICIENCY / POWER FACTOR | <u>LOAD</u> | <u>EFF.</u> | <u>P.F.</u> |
| | 100% | 86.5% | 0.85 |
| | 75% | 87.1% | 0.79 |
| | 50% | 87.0% | 0.70 |
| DUTY CYCLE | CONTINUOUS | | |
| TORQUE | <u>FULL LOAD</u> | <u>LRT</u> | <u>BDT</u> |
| | 4.49 lb.ft. | 210% | 350% |
| | | | |
| SLIP | 2.64% | | |
| NEMA DESIGN | B | | |
| MOMENT OF INERTIA | 0.133 lb.ft. ² | | |
| MAX. TIME LOCKED ROTOR (Hot) | 8 Seconds | | |
| SOUND PRESSURE LEVEL | 64 dB(A) | | |
| MAX. AMBIENT TEMPERATURE | 40° C | | |
| MAX. ELEVATION | 3300 Ft. Above Sea Level | | |
| TEMPERATURE RISE (At Full Load) | 80° C | | |
| DE BEARING | 6307ZZ C3 | | |
| ODE BEARING | 6206ZZ C3 | | |
| REGREASING INT. - DE BEARING | --- | | |
| REGREASING INT. - ODE BEARING | --- | | |
| GREASE TYPE | Mobil Polyrex EM | | |
| MOUNTING | F1 | | |
| ROTATION | Bi-Directional | | |
| SHAFT MATERIAL | 1045 Carbon Steel | | |
| CONNECTION DIAGRAM | 230 / 460 V - 9 Lead Y | | |
| APPROXIMATE WEIGHT | 81 lbs. | | |



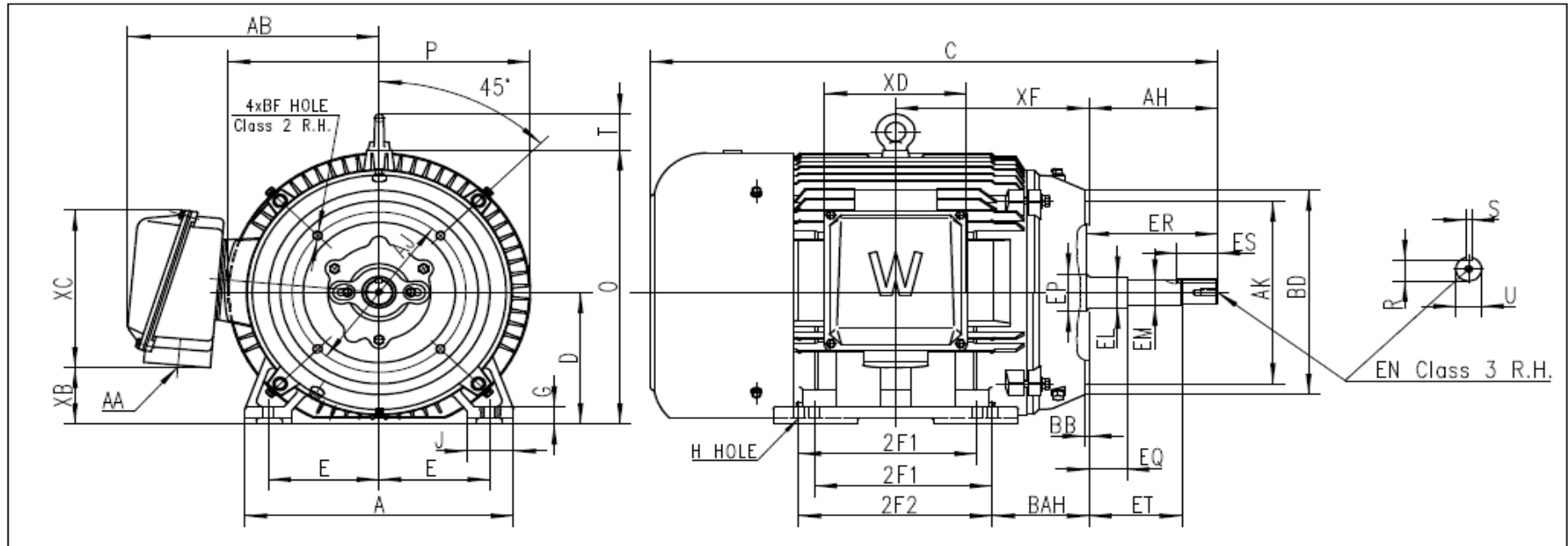
CC006A





WORLDWIDE ELECTRIC MOTOR DRAWING

PEWWE-182JM



DIMENSIONS - INCHES

| MOUNTING | | | | | A | B | C | D | G | J | P | O | T | AH | AB | KEY | | | KEYSET |
|----------|-----|-----|------|------|---|-----|----|-----|-----|---|-----|-----|------|------|----|-------|------|-------|--------|
| E | 2F1 | 2F2 | H | BAH | | | | | | | | | | | | S | ES | R | |
| 3.75 | --- | 4.5 | 0.41 | 3.37 | 9 | 7.2 | 17 | 4.5 | 0.6 | 2 | 9.7 | 9.5 | 1.42 | 4.25 | 8 | 0.188 | 1.65 | 0.768 | |

| FLANGE | | | | | SHAFT EXTENSION | | | | | | | | AA | XB | XC | XD | XF |
|--------|-------|--------|-------|-----|-----------------|-------|----|------|-------|------|--------|-------|----|-----|-----|-----|------|
| AK | AJ | BF | BB | BD | EQ | ET | EM | EL | EP | ER | EN | U | | | | | |
| 4.5 | 5.875 | 3/8-16 | 0.156 | 6.6 | 0.625 | 2.875 | 1 | 1.25 | 1.378 | 4.27 | 3/8-16 | 0.874 | 1 | 2.2 | 5.1 | 4.6 | 5.63 |