



WORLDWIDE ELECTRIC MOTOR DATA SHEET

PEWWE350-12-586/7UZ



HORSEPOWER	350
RPM / POLES	1200 / 6
VOLTAGE / PHASE	460 V / 3
FRAME	586/7UZ
ENCLOSURE / DEGREE OF PROTECTION	TEFC / IP55
FREQUENCY	60 HZ
FULL LOAD SPEED	1190 RPM
SERVICE FACTOR	1.15
INSULATION CLASS	F
FULL LOAD AMPS	398 A
LOCKED ROTOR AMPS (STARTING)	2550 A
NO LOAD CURRENT	137 A
NEMA CODE LETTER	G
EFFICIENCY / POWER FACTOR	<u>LOAD</u> <u>EFF.</u> <u>P.F.</u>
	100 % 95.8% 0.86
	75 % 95.9% 0.83
	50 % 95.5% 0.75
DUTY CYCLE	S1 / Continuous
TORQUE	<u>FULL LOAD</u> <u>LRT</u> <u>BDT</u>
	1544 lb.ft. 200% 250%
SLIP	0.83 %
NEMA DESIGN	B
MOMENT OF INERTIA	256 lb.ft.²
MAX. TIME LOCKED ROTOR (Hot)	14 Seconds
SOUND PRESSURE LEVEL	87 dB (A)
MAX. AMBIENT TEMPERATURE	40° C
MAX. ELEVATION	3300 Ft.
TEMPERATURE RISE (At Full Load)	80° C
DE BEARING	NU326 C3
ODE BEARING	6324 C3
GREASE TYPE	SKF LGHP 2
MOUNTING	F1
ROTATION	Bi-Directional
SHAFT MATERIAL	4140 Carbon Steel
INVERTER RATING	3:1 CT / 6:1 VT PWM Type
CONNECTION DIAGRAM	460 V - 6 Lead Δ
APPROXIMATE WEIGHT	4145 lbs.



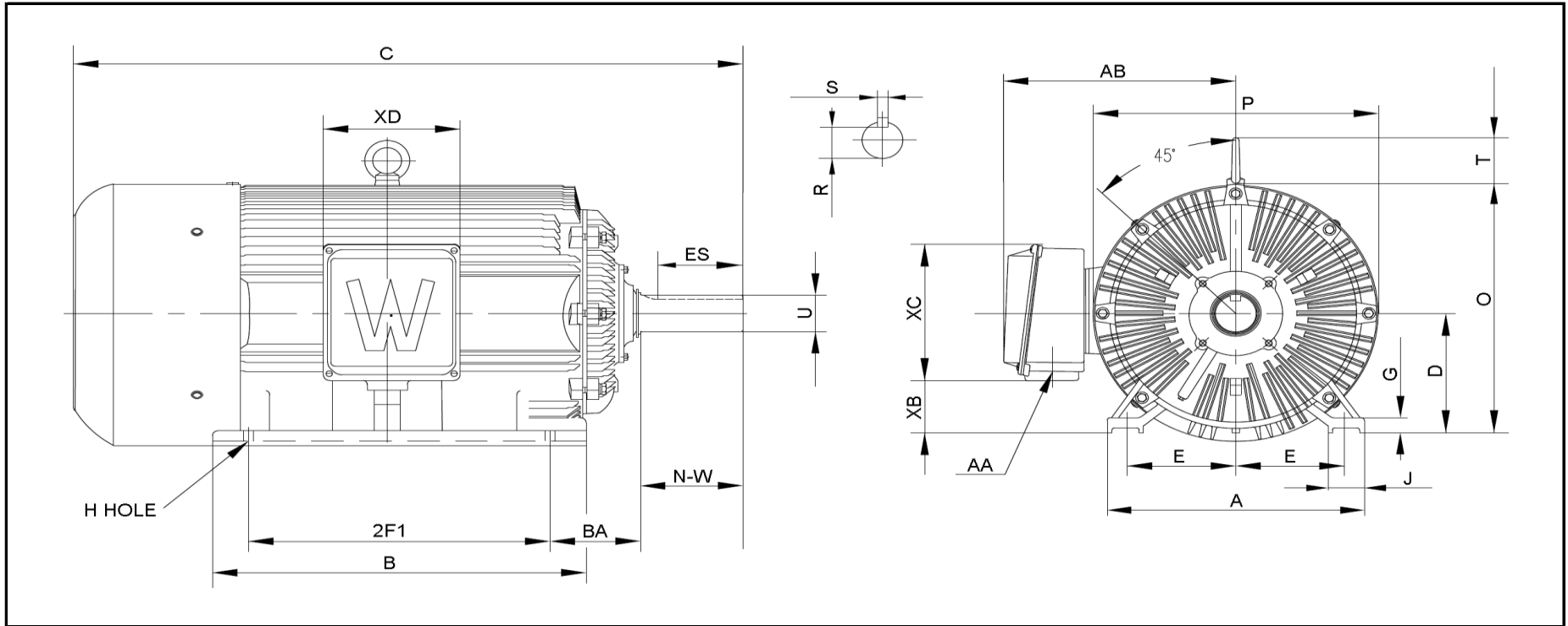
CC006A





WORLDWIDE ELECTRIC MOTOR DRAWING

PEWWE-586/7UZ-6P,8P



DIMENSIONS - INCHES

MOUNTING					A	B	C	D	G	J	P	O	T	AB
E	2F1	2F2	H	BA										
11.5	22	25	1.125	10	28	33.8	66	14.5	2.05	5	28.2	28.9	5	25

KEY		KEYSET	SHAFT		TERMINAL BOX				
S	ES	R	N-W	U	AA	XB	XC	XD	XE
1	10	3.817	11.625	4.375	2 x 3"	5	16.5	14.5	---