



WORLDWIDE ELECTRIC MOTOR DATA SHEET

PEWWE350-12-586/7



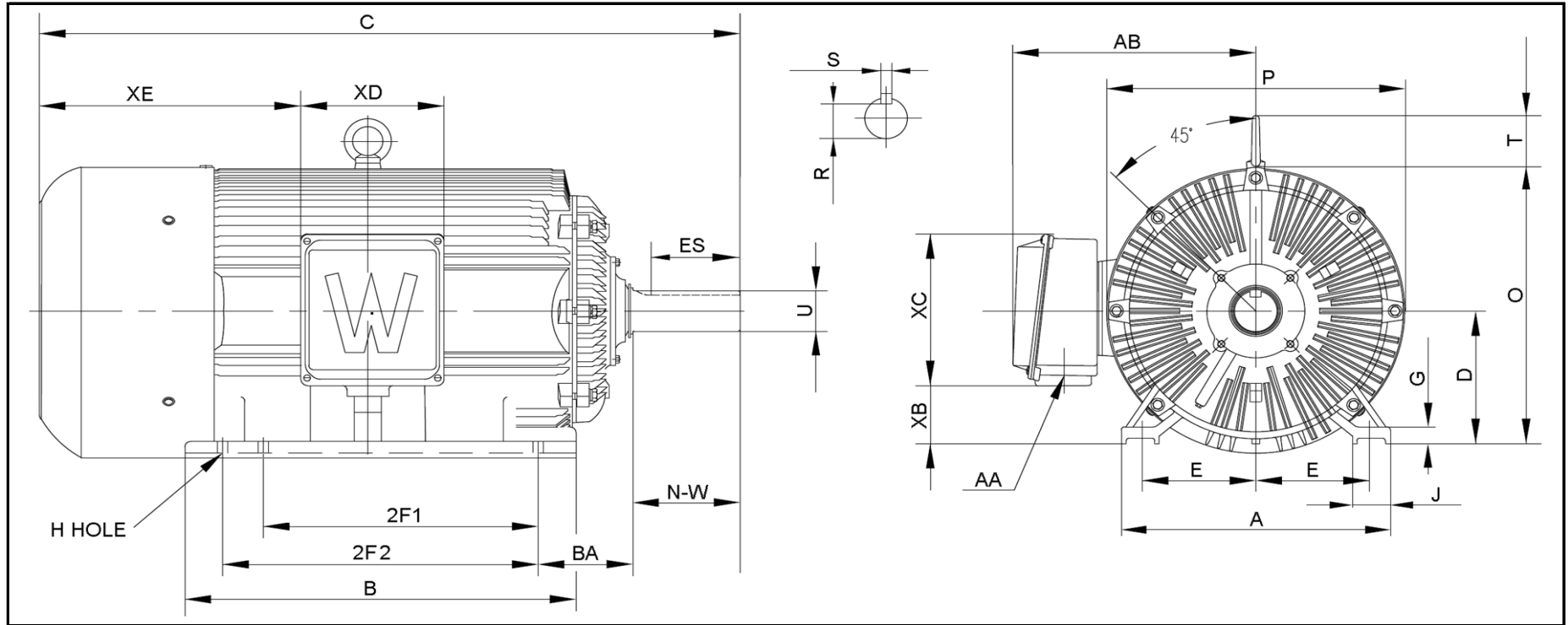
HORSEPOWER	350		
RPM / POLES	1200 / 6		
VOLTAGE / PHASE	460 V / 3		
FRAME	586/7		
ENCLOSURE / DEGREE OF PROTECTION	TEFC / IP55		
FREQUENCY	60 HZ		
FULL LOAD SPEED	1190 RPM		
SERVICE FACTOR	1.15		
INSULATION CLASS	F		
FULL LOAD AMPS	398 A		
LOCKED ROTOR AMPS (STARTING)	2550 A		
NO LOAD CURRENT	137 A		
NEMA CODE LETTER	G		
EFFICIENCY / POWER FACTOR	<u>LOAD</u>	<u>EFF.</u>	<u>P.F.</u>
	100 %	95.8%	0.86
	75 %	95.9%	0.83
	50 %	95.5%	0.75
DUTY CYCLE	S1 / Continuous		
TORQUE	<u>FULL LOAD</u>	<u>LRT</u>	<u>BDT</u>
	1544 lb.ft.	200%	250%
SLIP	0.83 %		
NEMA DESIGN	B		
MOMENT OF INERTIA	256 lb.ft.²		
MAX. TIME LOCKED ROTOR (Hot)	14 Seconds		
SOUND PRESSURE LEVEL	87 dB (A)		
MAX. AMBIENT TEMPERATURE	40° C		
MAX. ELEVATION	3300 Ft.		
TEMPERATURE RISE (At Full Load)	80° C		
DE BEARING	NU326 C3		
ODE BEARING	6324 C3		
REGREASING INT. - DE BEARING	Hours		
REGREASING INT. - ODE BEARING	Hours		
GREASE TYPE	SKF LGHP 2		
MOUNTING	F1		
ROTATION	Bi-Directional		
SHAFT MATERIAL	4140 Carbon Steel		
INVERTER RATING	3:1 CT / 6:1 VT PWM Type		
CONNECTION DIAGRAM	460 V - 6 Lead Δ		
APPROXIMATE WEIGHT	4145 lbs.		





WORLDWIDE ELECTRIC MOTOR DRAWING

PEWWE-586/7-6P,8P



DIMENSIONS - INCHES

MOUNTING					A	B	C	D	G	J	P	O	T	AB
E	2F1	2F2	H	BA										
11.5	22	25	1.125	10	28	33.85	66	14.5	2.05	5	30.5	28.9	5	25

KEY		KEYSET	SHAFT		TERMINAL BOX				
S	ES	R	N-W	U	AA	XB	XC	XD	XE
1	10	3.309	11.625	3.875	2 x 3"	5	16.5	14.5	---