



WORLDWIDE ELECTRIC MOTOR DATA SHEET

PEWWE250-36-449TS



HORSEPOWER	250
RPM / POLES	3600 / 4
VOLTAGE / PHASE	460 V / 3
FRAME	449TS
ENCLOSURE / DEGREE OF PROTECTION	TEFC / IP55
FREQUENCY	60 HZ
FULL LOAD SPEED	1790 RPM
SERVICE FACTOR	1.15
INSULATION CLASS	F
FULL LOAD AMPS	269 A
LOCKED ROTOR AMPS (STARTING)	1825 A
NO LOAD CURRENT	59 A
NEMA CODE LETTER	G
EFFICIENCY / POWER FACTOR	<u>LOAD</u> <u>EFF.</u> <u>P.F.</u>
	100 % 95.8% 0.91
	75 % 95.9% 0.90
50 % 95.6% 0.87	
DUTY CYCLE	S1 / Continuous
TORQUE	<u>FULL LOAD</u> <u>LRT</u> <u>BDT</u>
	366 lb.ft. 200% 250%
SLIP	0.42 %
NEMA DESIGN	B
MOMENT OF INERTIA	37.7 lb.ft. ²
MAX. TIME LOCKED ROTOR (Hot)	12 Seconds
SOUND PRESSURE LEVEL	95 dB (A)
MAX. AMBIENT TEMPERATURE	40° C
MAX. ELEVATION	3300 Ft.
TEMPERATURE RISE (At Full Load)	80° C
DE BEARING	6314 C3
ODE BEARING	6314 C3
REGREASING INT. - DE BEARING	1,800 Hours
REGREASING INT. - ODE BEARING	1,800 Hours
GREASE TYPE	Polyrex EM
MOUNTING	F1
ROTATION	Bi-Directional
SHAFT MATERIAL	4140 Carbon Steel
INVERTER RATING	3:1 CT / 6:1 VT PWM Type
CONNECTION DIAGRAM	460 V - 6 Lead Δ
APPROXIMATE WEIGHT	2200 lbs.



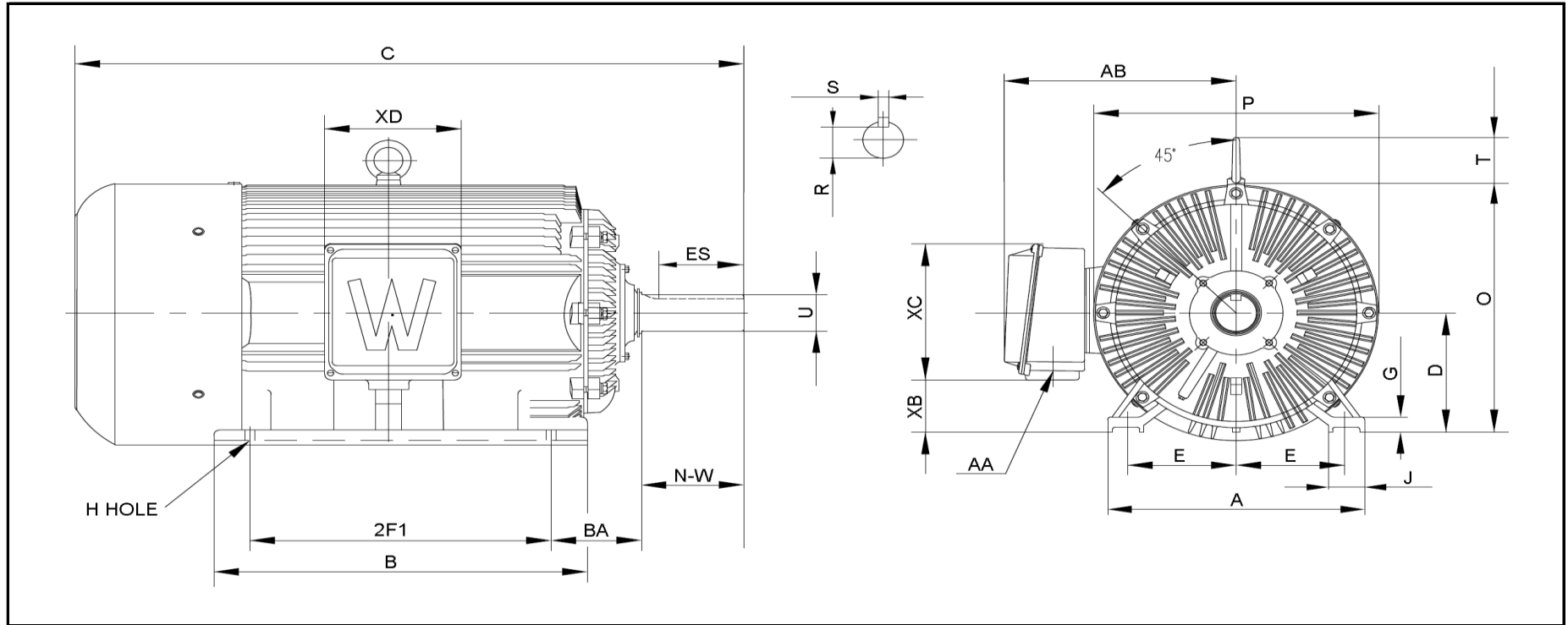
CC006A





WORLDWIDE ELECTRIC MOTOR DRAWING

PEWWE-449TS



DIMENSIONS - INCHES

MOUNTING					A	B	C	D	G	J	P	O	T	AB
E	2F1	2F2	H	BA										
9	25	---	0.81	7.5	22	31	52	11	1.575	3.35	24	23	4.25	19.5

KEY		KEYSET	SHAFT		TERMINAL BOX				
S	ES	R	N-W	U	AA	XB	XC	XD	XE
0.625	4.531	2.021	4.75	2.375	2 x 3"	4.7	12	11.5	---