



WORLDWIDE ELECTRIC MOTOR DATA SHEET



PEWWE200-12-449T

HORSEPOWER	200		
RPM / POLES	1200 / 6		
VOLTAGE / PHASE	230 / 460 V / 3		
FRAME	449T		
ENCLOSURE / DEGREE OF PROTECTION	TEFC / IP55		
FREQUENCY	60 HZ Suitable For 50 HZ Operation With 1.0 SF		
FULL LOAD SPEED	1190 RPM		
SERVICE FACTOR	1.25		
INSULATION CLASS	F		
FULL LOAD AMPS; 230 / 460	471 / 236 A		
LOCKED ROTOR AMPS (STARTING); 230 / 460	3480 / 1740 A		
NO LOAD CURRENT	190 / 95 A		
NEMA CODE LETTER	H		
EFFICIENCY / POWER FACTOR	<u>LOAD</u>	<u>EFF.</u>	<u>P.F.</u>
	100 %	95.8%	0.83
	75 %	95.8%	0.77
	50 %	95.2%	0.66
DUTY CYCLE	S1 / Continuous		
TORQUE	<u>FULL LOAD</u>	<u>LRT</u>	<u>BDT</u>
	882 lb.ft.	220%	310%
SLIP	0.83 %		
NEMA DESIGN	A		
MOMENT OF INERTIA	107 lb.ft.²		
MAX. TIME LOCKED ROTOR (Hot)	12 Seconds		
SOUND PRESSURE LEVEL	78 dB (A)		
MAX. AMBIENT TEMPERATURE	40° C		
MAX. ELEVATION	3300 Ft.		
TEMPERATURE RISE (At Full Load)	80° C		
DE BEARING	NU320 C3		
ODE BEARING	6320 C3		
REGREASING INT. - DE BEARING	2000 Hours		
REGREASING INT. - ODE BEARING	2700 Hours		
GREASE TYPE	SKF LGHP 2		
MOUNTING	F1		
ROTATION	Bi-Directional		
SHAFT MATERIAL	4140 Carbon Steel		
INVERTER RATING	10:1 CT / 20:1 VT PWM Type		
CONNECTION DIAGRAM	230 / 460 V - 12 Lead Δ		
AREA CLASSIFICATION	Class I, Division 2, Groups A, B, C, D		
APPROXIMATE WEIGHT	2664 lbs.		



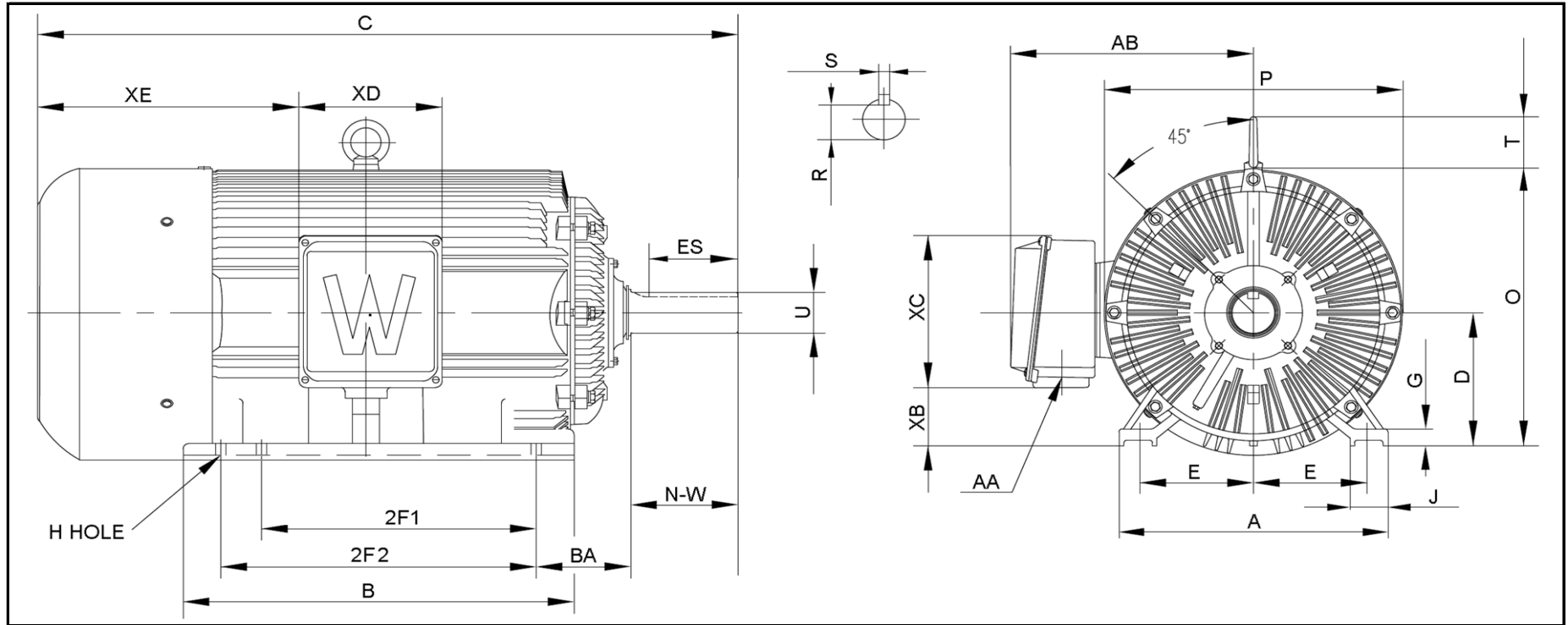
CC006A





WORLDWIDE ELECTRIC MOTOR DRAWING

PEWWE-449T



DIMENSIONS - INCHES

MOUNTING					A	B	C	D	G	J	P	O	T	AB
E	2F1	2F2	H	BA										
9	-	25	0.81	7.5	22	31	58	11	1.58	3.4	24	23	4.25	19.5

KEY		KEYSET	SHAFT		TERMINAL BOX				
S	ES	R	N-W	U	AA	XB	XC	XD	XE
0.875	7.01	2.88	8.5	3.375	2 x 3	4.7	12	11.5	22.65