



WORLDWIDE ELECTRIC MOTOR DATA SHEET



EP200-12-449T

HORSEPOWER	200		
RPM / POLES	1200 / 6		
VOLTAGE / PHASE	460 V / 3		
FRAME	449T		
ENCLOSURE / DEGREE OF PROTECTION	TEFC / IP55		
FREQUENCY	60 HZ Suitable For 50 HZ Operation With 1.0 SF		
FULL LOAD SPEED	1190 RPM		
SERVICE FACTOR	1.25 SF at 40° C / 1.0 SF at 55° C		
INSULATION CLASS	F		
FULL LOAD AMPS	232 A		
LOCKED ROTOR AMPS (STARTING)	1755 A		
NO LOAD CURRENT	69 A		
NEMA CODE LETTER	G		
EFFICIENCY / POWER FACTOR	<u>LOAD</u>	<u>EFF.</u>	<u>P.F.</u>
	100%	95.8%	0.84
	75%	95.6%	0.80
	50%	94.8%	0.71
DUTY CYCLE	S1 / Continuous		
TORQUE	<u>FULL LOAD</u>	<u>LRT</u>	<u>BDT</u>
	1072 lb.ft.	205%	250%
SLIP	0.80%		
NEMA DESIGN	B		
MOMENT OF INERTIA	117.2 lb.ft. ²		
NUMBER OF STARTS (Hot / Cold)	2 Hot / 3 Cold		
MAX. AMBIENT TEMPERATURE	40° C at 1.25 SF / 55° C at 1.0 SF		
MAX. ELEVATION	3300 Ft. Above Sea Level		
TEMPERATURE RISE (At Full Load)	80° C		
DE BEARING	NU320		
ODE BEARING	6316		
GREASE TYPE	Mobil Polyrex EM		
MOUNTING	F1		
ROTATION	Bi-Directional		
APPROXIMATE WEIGHT	2678 lbs.		
AREA CLASSIFICATION	Class I, Division 2, Groups A, B, C, D		
TEMPERATURE CODE AT 40°C AMBIENT	T3A		
TEMPERATURE CODE AT 55°C AMBIENT	T3		
INVERTER RATING	10:1 CT / 20:1 VT PWM Type		
SPECIFICATION - In Accordance With	NEMA, CSA		



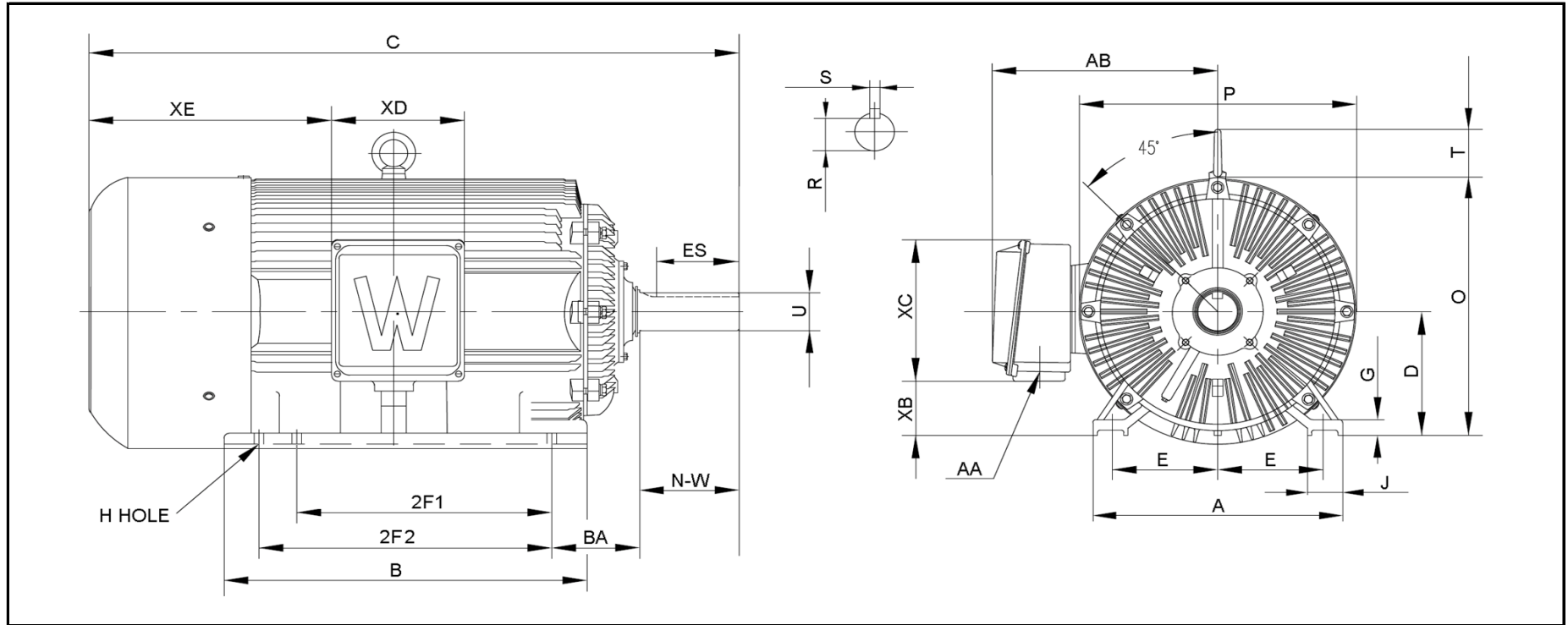
CC067A





WORLDWIDE ELECTRIC MOTOR DRAWING

EP-449T



DIMENSIONS - INCHES

MOUNTING					A	B	C	D	G	J	P	O	T	AB
E	2F1	2F2	H	BA										
9	20	25	0.81	7.5	22.1	31.1	54.2	11	1.5	3.9	23.1	22.6	4.25	19.3

KEY		KEYSET	SHAFT		TERMINAL BOX				
S	ES	R	N-W	U	AA	XB	XC	XD	XE
0.875	6.91	2.88	8.5	3.375	2 x 3"	5.3	11.9	11.4	19.4