



# WORLDWIDE ELECTRIC MOTOR DATA SHEET



## PEWWE2-36-145JP

HORSEPOWER	2
RPM / POLES	3600 / 2
VOLTAGE / PHASE	230 / 460 V / 3
FRAME	145JP
ENCLOSURE / DEGREE OF PROTECTION	TEFC / IP54
FREQUENCY	60 HZ Suitable For 50 HZ Operation With 1.0 SF
FULL LOAD SPEED	3490 RPM
SERVICE FACTOR	1.15
INSULATION CLASS	F
FULL LOAD AMPS; 230 / 460	5.21 / 2.61 A (Usable On 208V At 5.76 A)
LOCKED ROTOR AMPS (STARTING); 230 / 460	50.0 / 25.0 A
NO LOAD CURRENT	2.5 / 1.25 A
NEMA CODE LETTER	L
EFFICIENCY / POWER FACTOR	<u>LOAD</u> <u>EFF.</u> <u>P.F.</u>
	100%                              85.5%                      0.84
	75%                                86.0%                      0.78
50%                                85.7%                      0.67	
DUTY CYCLE	CONTINUOUS
TORQUE	<u>FULL LOAD</u> <u>LRT</u> <u>BDT</u>
	3.01 lb.ft.                        230%                        320%
SLIP	3.05%
NEMA DESIGN	B
MOMENT OF INERTIA	0.05 lb.ft. <sup>2</sup>
MAX. TIME LOCKED ROTOR (Hot)	6 Seconds
SOUND PRESSURE LEVEL	62 dB(A)
MAX. AMBIENT TEMPERATURE	40° C
MAX. ELEVATION	3300 Ft. Above Sea Level
TEMPERATURE RISE (At Full Load)	80° C
DE BEARING	6206ZZ C3
ODE BEARING	6205ZZ C3
REGREASING INT. - DE BEARING	---
REGREASING INT. - ODE BEARING	---
GREASE TYPE	Mobil Polyrex EM
MOUNTING	F1
ROTATION	Bi-Directional
SHAFT MATERIAL	1045 Carbon Steel
CONNECTION DIAGRAM	230 / 460 V - 9 Lead Y
APPROXIMATE WEIGHT	51 lbs.



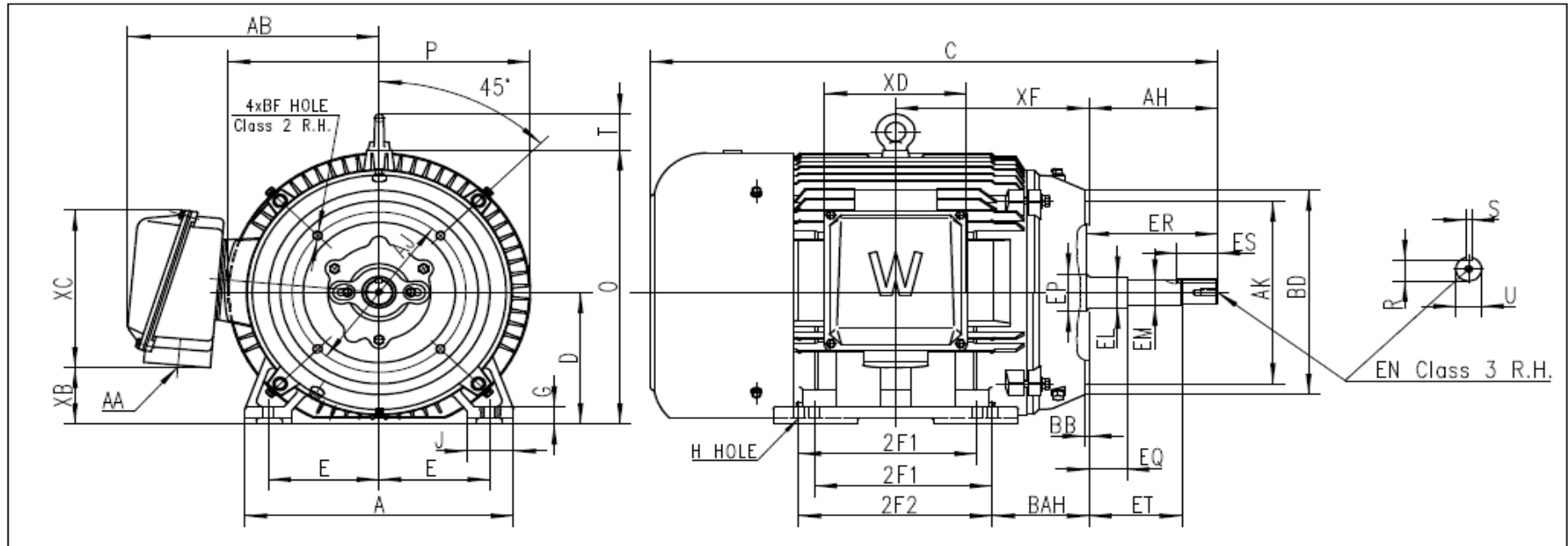
CC006A





# WORLDWIDE ELECTRIC MOTOR DRAWING

## PEWWE-145JP



### DIMENSIONS - INCHES

MOUNTING					A	B	C	D	G	J	P	O	T	AH	AB	KEY			KEYSET
E	2F1	2F2	H	BAH												S	ES	R	
2.75	4	5	0.34	2.87	7	6.6	19.2	3.5	0.43	1	7.8	7.6	1.42	7.31	6.7	0.188	1.65	0.768	

FLANGE					SHAFT EXTENSION								AA	XB	XC	XD	XF
AK	AJ	BF	BB	BD	EQ	ET	EM	EL	EP	ER	EN	U					
4.5	5.875	3/8-16	0.156	6.6	1.563	5.937	1	1.155	1.181	7.42	3/8-16	0.874	3/4	1.6	4.6	4.1	5.37