



# WORLDWIDE ELECTRIC MOTOR DATA SHEET



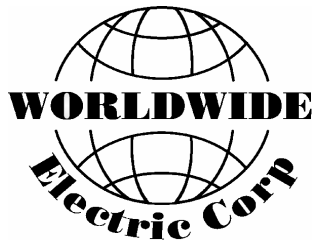
## WWE15-18-254JP

HORSEPOWER	15		
RPM / POLES	1800 / 4		
VOLTAGE / PHASE	230 / 460 V / 3		
FRAME	254JP		
ENCLOSURE / DEGREE OF PROTECTION	TEFC / IP54		
FREQUENCY	60 HZ Suitable For 50 HZ Operation With 1.0 SF		
FULL LOAD SPEED	1770 RPM		
SERVICE FACTOR	1.15		
INSULATION CLASS	F		
FULL LOAD AMPS; 230 / 460	35.4 / 17.7 A		
LOCKED ROTOR AMPS (STARTING); 230 / 460	232 / 116 A		
NO LOAD CURRENT	14.2 / 7.1 A		
NEMA CODE LETTER	G		
EFFICIENCY / POWER FACTOR	<u>LOAD</u>	<u>EFF.</u>	<u>P.F.</u>
	100%	91.0%	0.84
	75%	89.8%	0.81
	50%	88.7%	0.72
DUTY CYCLE	CONTINUOUS		
TORQUE	<u>FULL LOAD</u>	<u>LRT</u>	<u>BDT</u>
	43.74 lb.ft.	170%	270%
SLIP	1.67%		
NEMA DESIGN	B		
MOMENT OF INERTIA	1.71 lb.ft. <sup>2</sup>		
MAX. TIME LOCKED ROTOR (Hot)	20 Seconds		
MAX. AMBIENT TEMPERATURE	40° C		
MAX. ELEVATION	3300 Ft. Above Sea Level		
TEMPERATURE RISE (At Full Load)	80° C		
DE BEARING	6309		
ODE BEARING	6209		
REGREASING INT. - DE BEARING	9,000 Hours (0.46 oz.)		
REGREASING INT. - ODE BEARING	9,000 Hours (0.29 oz.)		
GREASE TYPE	Mobil Polyrex EM		
MOUNTING	F1 (F2 Suitable)		
ROTATION	Bi-Directional		
SHAFT MATERIAL	1045 Carbon Steel		
CONNECTION DIAGRAM	230 / 460 V - 9 Lead Δ		
APPROXIMATE WEIGHT	290 Lbs.		



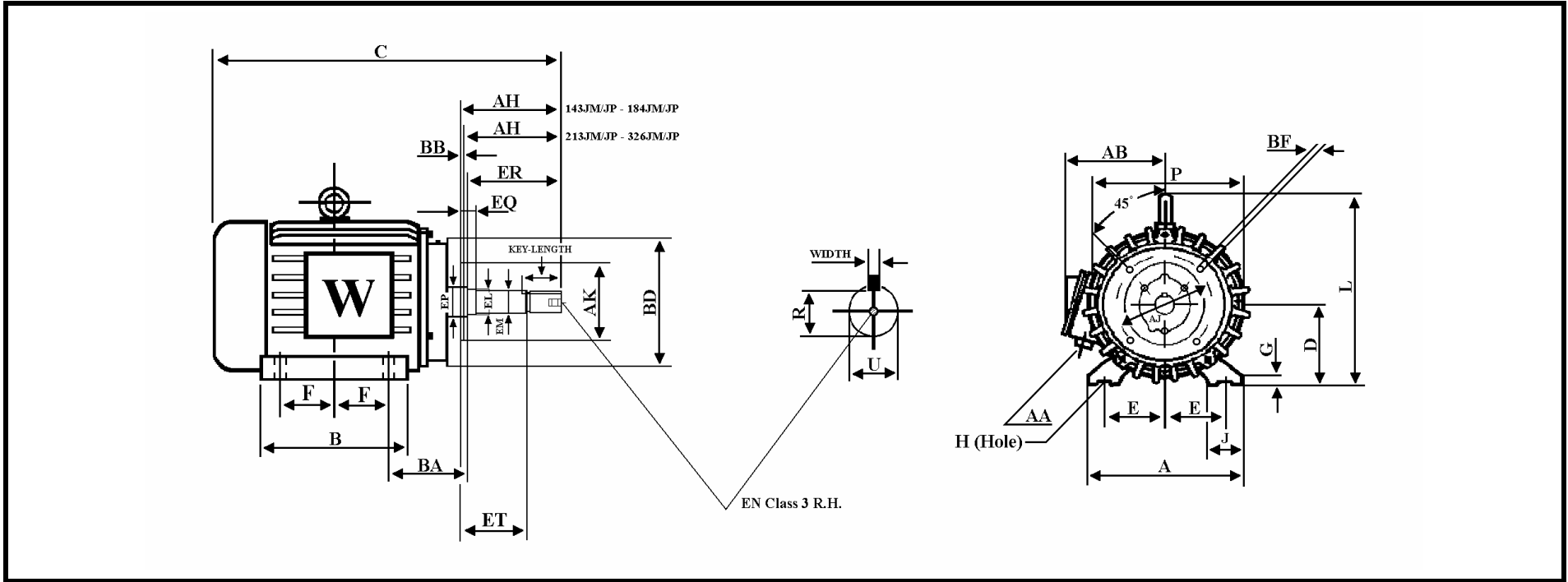
CC006A





**CERTIFIED**

# NEMA FRAME 254JP



## DIMENSIONS - Inches

MOUNTING				A	B	C	D	G	J	P	L	AH	AB	EQ	AA
E	F	H	BA												
5	4.125	0.53	4.25	12.5	10.8	28	6.25	0.787	2.76	13.03	15.12	8.125	11.22	2.375	1.5" NPT

KEY		KEYSET	U	FLANGE					ET	EM	EL	EP	ER	EN
WIDTH	LENGTH	R		AK	AJ	BF	BB	BD						
0.252	2.6	1.112	1.25	8.5	7.25	1/2-13	0.256	10	5.89	1.375	1.75	1.772	8.384	1/2-13