

PESS254TC15M-2-RB

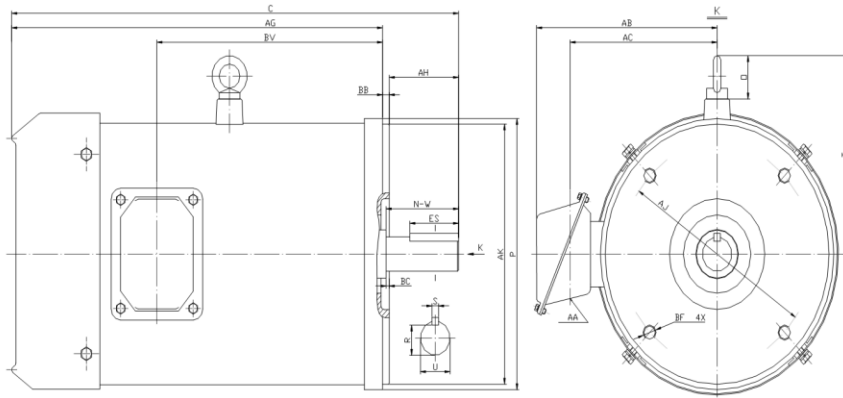
WASHDOWN DUTY MOTOR

NEMA PREMIUM EFFICIENCY

STAINLESS STEEL CONSTRUCTION - ROUND BODY (C-FLANGE FOOTLESS)

TOTALLY ENCLOSED FAN COOLED - IP66 CONSTRUCTION

INVERTER DUTY 10:1 CT; 20:1 VT - NEMA MG1 PART 31



DIMENSIONS

HP	RPM	Frame	Mounting									
			C	P	AK	AJ	AH	AG	BA	BB	BC	BF
15	3600	254TC	23.20	11.72	8.500	7.250	3.75	19.20	N/A	0.25	0.25	4*1/2-13

Shaft Extension, Key Set				Conduit Box				Bearings		Mount	
U	R	S	ES	N-W	AA	AB	AC	BV	DE		ODE
1.625	1.416	0.375	2.91	4.00	1.00	9.50	7.80	12.50	6309-2RS	6309-2RS	F1

BEARING LUBRICATION: The bearings come lubricated with Mobil Polyrex EM Polyurea Grease.





PESS254TC15M-2-RB

WASHDOWN DUTY MOTOR
NEMA PREMIUM EFFICIENCY
STAINLESS STEEL CONSTRUCTION - ROUND BODY (C-FLANGE FOOTLESS)
TOTALLY ENCLOSED FAN COOLED - IP66 CONSTRUCTION
INVERTER DUTY 10:1 CT; 20:1 VT - NEMA MG1 PART 31

PERFORMANCE DATA

HP	RPM	Frame	Voltage	Frequency (Hz)	Full Load S.F.	Insulation Class	NEMA Design	Slip (%)	NEMA Code	Enclosure Type	IP Rating	Max. Ambient
15	3540	254TC	208-230/460	60	1.15	F	B	1.7	G	TEFC	66	40° C

Amps (460V)		Efficiency (%)				Power Factor			Torque (ft-lb)			DE Bearing	ODE Bearing	Connection	Weight (lbs.)
FLA	LRA	100%	75%	50%	Min.	100%	75%	50%	FLT	LRT %	BDT %				
18.5	116.0	91.0	90.5	90.0	89.5	0.90	0.85	0.76	22.0	225	260	6309-2RS	6309-2RS	12 Lead 2Δ/Δ	252

NAME PLATE

				WASHDOWN DUTY STAINLESS STEEL MOTORS		CONNECTION DIAGRAMS	
INVERTER DUTY 20:1 VT; 10:1 CT						208-230V	
CAT NO:	PESS254TC15M-2-RB	FRAME	254TC	PHASE	3		
HZ	60	S.F.	1.15	HZ	50	S.F.	1.2
ENCL	TEFC	IP	66	DUTY	CONT	DES	B
HP	15	RPM	3540	HP	10	RPM	2935
VOLTS	208-230/460	VOLTS	190/380	AMB	40° C	INS	F
FLA	40 - 37 / 18.5	FLA	30/15	DE BEARING	6309-2RS		
CODE	G	P.F.	0.90	CODE	G	P.F.	0.91
ODE BEARING	6309-2RS		LUB:		Mobil Polyrex EM		
EFF	91.0	MIN	89.5	EFF	89.5	MIN	87.5
MOTOR WEIGHT	252	LBS		CONNECTION	12 Lead 2Δ/Δ		SER NO
Special purpose motor designed for washdown applications and extremely corrosive environments. Hernando, Mississippi							
						460V	
						CC 082A	

APPLICATIONS:

Applications include washdown applications, food processing, chemical processing, pharmaceuticals, poultry processing, meat processing, dairy applications, bakeries, snack foods, bottling and extremely corrosive environments.