

PESS182TC3M-4-RB

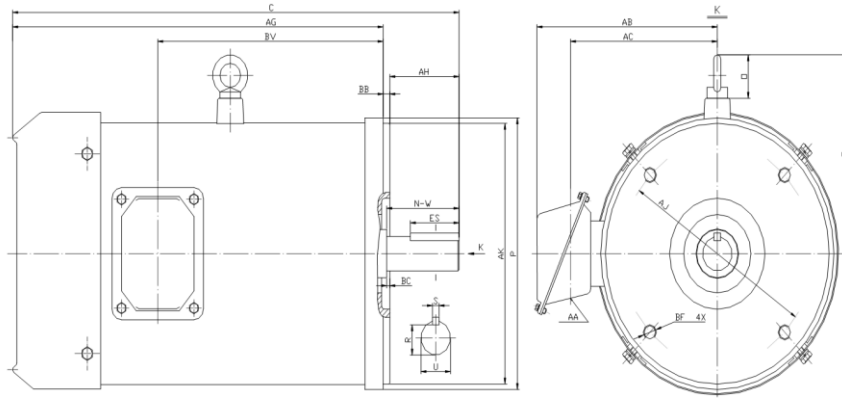
WASHDOWN DUTY MOTOR

NEMA PREMIUM EFFICIENCY

STAINLESS STEEL CONSTRUCTION - ROUND BODY (C-FLANGE FOOTLESS)

TOTALLY ENCLOSED FAN COOLED - IP66 CONSTRUCTION

INVERTER DUTY 10:1 CT; 20:1 VT - NEMA MG1 PART 31



DIMENSIONS

HP	RPM	Frame	Mounting									
			C	P	AK	AJ	AH	AG	BA	BB	BC	BF
3	1800	182TC	17.00	8.85	8.500	7.250	2.62	14.13	N/A	0.25	0.12	4*1/2-13

Shaft Extension, Key Set					Conduit Box				Bearings		Mount
U	R	S	ES	N-W	AA	AB	AC	BV	DE	ODE	
1.125	0.986	0.250	1.78	2.75	0.94	7.00	5.30	8.60	6308-2RS	6306-2RS	F1

BEARING LUBRICATION: The bearings come lubricated with Mobil Polyrex EM Polyurea Grease.





PESS182TC3M-4-RB

WASHDOWN DUTY MOTOR

NEMA PREMIUM EFFICIENCY

STAINLESS STEEL CONSTRUCTION - ROUND BODY (C-FLANGE FOOTLESS)

TOTALLY ENCLOSED FAN COOLED - IP66 CONSTRUCTION

INVERTER DUTY 10:1 CT; 20:1 VT - NEMA MG1 PART 31

PERFORMANCE DATA

HP	RPM	Frame	Voltage	Frequency (Hz)	Full Load S.F.	Insulation Class	NEMA Design	Slip (%)	NEMA Code	Enclosure Type	IP Rating	Max. Ambient
3	1765	182TC	208-230/460	60	1.15	F	B	1.9	K	TEFC	66	40° C

Amps (460V)		Efficiency (%)				Power Factor			Torque (ft-lb)			DE Bearing	ODE Bearing	Connection	Weight (lbs.)
FLA	LRA	100%	75%	50%	Min.	100%	75%	50%	FLT	LRT %	BDT %				
4.0	32.0	89.5	90.0	89.0	87.5	0.81	0.75	0.64	8.8	270	290	6308-2RS	6306-2RS	9 Lead 2Y/Y	77

NAME PLATE

												CONNECTION DIAGRAMS 208-230V 460V 													
INVERTER DUTY 20:1 VT; 10:1 CT						WASHDOWN DUTY STAINLESS STEEL MOTORS																			
CAT NO:		PESS182TC3M-4-RB				FRAME		182TC		PHASE		3													
HZ		60		S.F.		1.15		HZ		50		S.F.		1.2		ENCL		TEFC		IP		66			
HP		3		RPM		1765		HP		2		RPM		1460		DUTY		CONT		DES		B			
VOLTS		208-230/460				VOLTS		190/380				AMB		40° C		INS		F							
FLA		8.4 - 8 / 4				FLA		6.6/3.3				DE BEARING		6308-2RS											
CODE		K		P.F.		0.81		CODE		K		P.F.		0.83		ODE BEARING		6306-2RS							
EFF		89.5		MIN		87.5		EFF		87.5		MIN		85.5		LUB:		Mobil Polyrex EM							
MOTOR WEIGHT		77		LBS		CONNECTION		9 Lead 2Y/Y				SER NO													
Special purpose motor designed for washdown applications and extremely corrosive environments. Hernando, Mississippi												CC 082A													

APPLICATIONS:

Applications include washdown applications, food processing, chemical processing, pharmaceuticals, poultry processing, meat processing, dairy applications, bakeries, snack foods, bottling and extremely corrosive environments.