

PESS184TC2M-6-RB

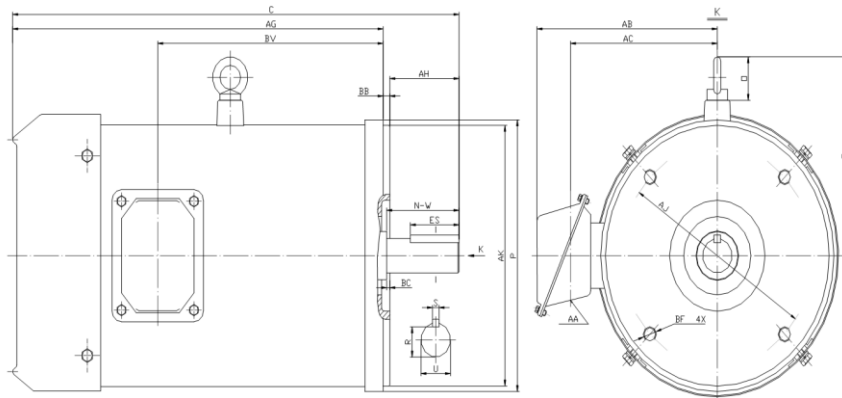
WASHDOWN DUTY MOTOR

NEMA PREMIUM EFFICIENCY

STAINLESS STEEL CONSTRUCTION - ROUND BODY (C-FLANGE FOOTLESS)

TOTALLY ENCLOSED FAN COOLED - IP66 CONSTRUCTION

INVERTER DUTY 10:1 CT; 20:1 VT - NEMA MG1 PART 31



DIMENSIONS

HP	RPM	Frame	Mounting									
			C	P	AK	AJ	AH	AG	BA	BB	BC	BF
2	1200	184TC	17.00	8.85	8.500	7.250	2.62	14.13	N/A	0.25	0.12	4*1/2-13

Shaft Extension, Key Set					Conduit Box				Bearings		Mount
U	R	S	ES	N-W	AA	AB	AC	BV	DE	ODE	
1.125	0.986	0.250	1.78	2.75	0.94	7.00	5.30	8.60	6308-2RS	6306-2RS	F1

BEARING LUBRICATION: The bearings come lubricated with Mobil Polyrex EM Polyurea Grease.





PESS184TC2M-6-RB

WASHDOWN DUTY MOTOR
NEMA PREMIUM EFFICIENCY
STAINLESS STEEL CONSTRUCTION - ROUND BODY (C-FLANGE FOOTLESS)
TOTALLY ENCLOSED FAN COOLED - IP66 CONSTRUCTION
INVERTER DUTY 10:1 CT; 20:1 VT - NEMA MG1 PART 31

PERFORMANCE DATA

HP	RPM	Frame	Voltage	Frequency (Hz)	Full Load S.F.	Insulation Class	NEMA Design	Slip (%)	NEMA Code	Enclosure Type	IP Rating	Max. Ambient
2	1175	184TC	208-230/460	60	1.15	F	B	2.1	L	TEFC	66	40° C

Amps (460V)		Efficiency (%)				Power Factor			Torque (ft-lb)			DE Bearing	ODE Bearing	Connection	Weight (lbs.)
FLA	LRA	100%	75%	50%	Min.	100%	75%	50%	FLT	LRT %	BDT %				
3.1	25.0	86.5	82.0	77.0	84.0	0.71	0.65	0.57	8.8	255	270	6308-2RS	6306-2RS	9 Lead 2Y/Y	94

NAME PLATE

				WASHDOWN DUTY STAINLESS STEEL MOTORS		CONNECTION DIAGRAMS		
INVERTER DUTY 20:1 VT; 10:1 CT						208-230V		
CAT NO:	PESS184TC2M-6-RB	FRAME	184TC	PHASE	3			
HZ	60	S.F.	1.15	HZ	50	S.F.	1.2	
ENCL	TEFC	IP	66	HP	2	RPM	1175	
HP	2	RPM	1175	HP	1.5	RPM	970	
DUTY	CONT	DES	B	VOLTS	208-230/460	VOLTS	190/380	
AMB	40° C	INS	F	FLA	6.6 - 6.1 / 3.05	FLA	5.8/2.9	
DE BEARING	6308-2RS		ODE BEARING		6306-2RS		460V	
CODE	L	P.F.	0.71	CODE	L	P.F.	0.73	
ODE BEARING	6306-2RS		LUB:		Mobil Polyrex EM			
EFF	86.5	MIN	84.0	EFF	84	MIN	81.5	
MOTOR WEIGHT	94	LBS	CONNECTION	9 Lead 2Y/Y		SER NO		
Special purpose motor designed for washdown applications and extremely corrosive environments. Hernando, Mississippi								CC 082A

APPLICATIONS:

Applications include washdown applications, food processing, chemical processing, pharmaceuticals, poultry processing, meat processing, dairy applications, bakeries, snack foods, bottling and extremely corrosive environments.