



**PES56C2M-4-RB**

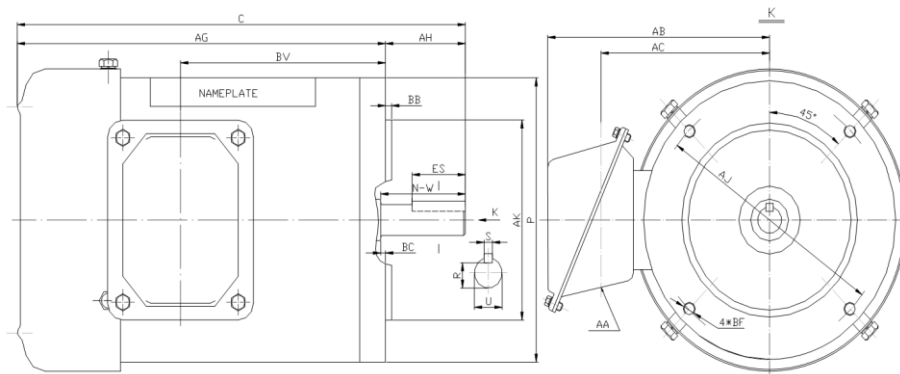
**WASHDOWN DUTY MOTOR**

**NEMA PREMIUM EFFICIENCY**

**STAINLESS STEEL CONSTRUCTION - ROUND BODY (C-FLANGE FOOTLESS)**

**TOTALLY ENCLOSED FAN COOLED - IP66 CONSTRUCTION**

**INVERTER DUTY 10:1 CT; 20:1 VT - NEMA MG1 PART 31**



**DIMENSIONS**

HP	RPM	Frame	Mounting									
			C	P	AK	AJ	AH	AG	BA	BB	BC	BF
2	1800	56C	13.75	6.50	4.500	5.875	2.06	11.69	N/A	0.16	-0.19	4*3/8-16

Shaft Extension, Key Set					Conduit Box				Bearings		Mount
U	R	S	ES	N-W	AA	AB	AC	BV	DE	ODE	
0.625	0.517	0.188	1.41	1.88	0.86	5.75	4.25	7.50	6205-2RS	6205-2RS	F1

**BEARING LUBRICATION:** The bearings come lubricated with Mobil Polyrex EM Polyurea Grease.





**PESS56C2M-4-RB**

**WASHDOWN DUTY MOTOR**  
**NEMA PREMIUM EFFICIENCY**  
**STAINLESS STEEL CONSTRUCTION - ROUND BODY (C-FLANGE FOOTLESS)**  
**TOTALLY ENCLOSED FAN COOLED - IP66 CONSTRUCTION**  
**INVERTER DUTY 10:1 CT; 20:1 VT - NEMA MG1 PART 31**

**PERFORMANCE DATA**

HP	RPM	Frame	Voltage	Frequency (Hz)	Full Load S.F.	Insulation Class	NEMA Design	Slip (%)	NEMA Code	Enclosure Type	IP Rating	Max. Ambient
2	1750	56C	208-230/460	60	1.15	F	B	2.8	K	TEFC	66	40° C

Amps (460V)		Efficiency (%)				Power Factor			Torque (ft-lb)			DE Bearing	ODE Bearing	Connection	Weight (lbs.)
FLA	LRA	100%	75%	50%	Min.	100%	75%	50%	FLT	LRT %	BDT %				
3.0	25.0	86.5	83.0	80.0	84.0	0.75	0.66	0.52	5.9	285	300	6205-2RS	6205-2RS	9 Lead 2Y/Y	50

**NAME PLATE**

												<b>CONNECTION DIAGRAMS</b>  <b>208-230V</b> 					
<b>INVERTER DUTY 20:1 VT; 10:1 CT</b>						<b>WASHDOWN DUTY STAINLESS STEEL MOTORS</b>											
CAT NO: PESS56C2M-4-RB			FRAME 56C			PHASE 3			<b>460V</b> 								
HZ 60	S.F. 1.15	HZ 50	S.F. 1.2	ENCL TEFC	IP 66												
HP 2	RPM 1750	HP 1.5	RPM 1450	DUTY CONT	DES B												
VOLTS 208-230/460		VOLTS 190/380		AMB 40° C	INS F												
FLA 6.2 - 6 / 3	FLA 5.2/2.6		DE BEARING 6205-2RS														
CODE K	P.F. 0.75	CODE K	P.F. 0.78	ODE BEARING 6205-2RS													
EFF 86.5	MIN 84.0	EFF 84	MIN 81.5	LUB: Mobil Polyrex EM													
MOTOR WEIGHT 50 LBS	CONNECTION 9 Lead 2Y/Y		SER NO														
Special purpose motor designed for washdown applications and extremely corrosive environments. Hernando, Mississippi						CC 082A											

**APPLICATIONS:**

Applications include washdown applications, food processing, chemical processing, pharmaceuticals, poultry processing, meat processing, dairy applications, bakeries, snack foods, bottling and extremely corrosive environments.