

PESS145TC1.5M-4-RB

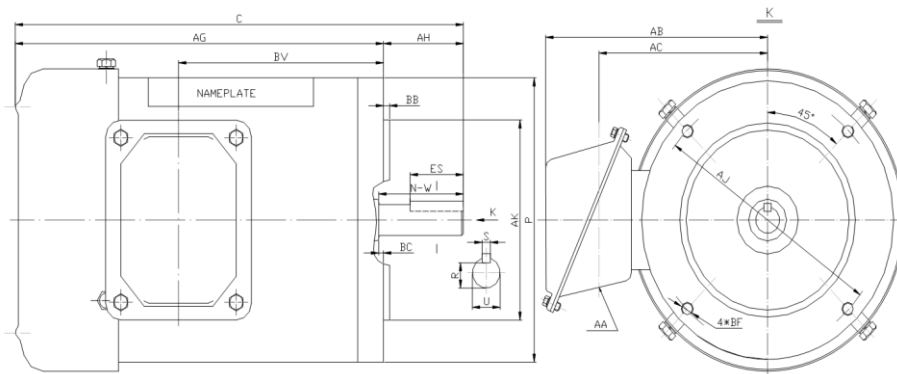
WASHDOWN DUTY MOTOR

NEMA PREMIUM EFFICIENCY

STAINLESS STEEL CONSTRUCTION - ROUND BODY (C-FLANGE FOOTLESS)

TOTALLY ENCLOSED FAN COOLED - IP66 CONSTRUCTION

INVERTER DUTY 10:1 CT; 20:1 VT - NEMA MG1 PART 31



DIMENSIONS

HP	RPM	Frame	Mounting									
			C	P	AK	AJ	AH	AG	BA	BB	BC	BF
1.5	1800	145TC	16.63	6.50	4.500	5.875	2.12	10.51	N/A	0.16	0.12	4*3/8-16

Shaft Extension, Key Set					Conduit Box				Bearings		Mount
U	R	S	ES	N-W	AA	AB	AC	BV	DE	ODE	
0.875	0.771	0.188	1.41	2.25	0.86	5.75	4.25	6.30	6205-2RS	6205-2RS	F1

BEARING LUBRICATION: The bearings come lubricated with Mobil Polyrex EM Polyurea Grease.





PESS145TC1.5M-4-RB

WASHDOWN DUTY MOTOR
NEMA PREMIUM EFFICIENCY
STAINLESS STEEL CONSTRUCTION - ROUND BODY (C-FLANGE FOOTLESS)
TOTALLY ENCLOSED FAN COOLED - IP66 CONSTRUCTION
INVERTER DUTY 10:1 CT; 20:1 VT - NEMA MG1 PART 31

PERFORMANCE DATA

HP	RPM	Frame	Voltage	Frequency (Hz)	Full Load S.F.	Insulation Class	NEMA Design	Slip (%)	NEMA Code	Enclosure Type	IP Rating	Max. Ambient
1.5	1750	145TC	208-230/460	60	1.15	F	B	2.8	K	TEFC	66	40° C

Amps (460V)		Efficiency (%)				Power Factor			Torque (ft-lb)			DE Bearing	ODE Bearing	Connection	Weight (lbs.)
FLA	LRA	100%	75%	50%	Min.	100%	75%	50%	FLT	LRT %	BDT %				
2.3	20.0	86.5	83.0	79.0	84.0	0.72	0.61	0.50	4.4	285	300	6205-2RS	6205-2RS	9 Lead 2Y/Y	42

NAME PLATE

				WASHDOWN DUTY STAINLESS STEEL MOTORS		CONNECTION DIAGRAMS	
INVERTER DUTY 20:1 VT; 10:1 CT							
CAT NO:	PESS145TC1.5M-4-RB	FRAME	145TC	PHASE	3	208-230V 	
HZ	60	S.F.	1.15	HZ	50	S.F.	1.2
ENCL	TEFC	IP	66	DUTY	CONT	DES	B
HP	1.5	RPM	1750	HP	1	RPM	1450
VOLTS	208-230/460	VOLTS	190/380	AMB	40° C	INS	F
FLA	5 - 4.6 / 2.3	FLA	3.2/1.6	DE BEARING	6205-2RS		
ODE BEARING	6205-2RS						
CODE	K	P.F.	0.72	CODE	K	P.F.	0.75
ODE BEARING	6205-2RS						
EFF	86.5	MIN	84.0	EFF	84	MIN	81.5
LUB:	Mobil Polyrex EM						
MOTOR WEIGHT	42	LBS		CONNECTION	9 Lead 2Y/Y	SER NO	
Special purpose motor designed for washdown applications and extremely corrosive environments. Hernando, Mississippi							
						460V 	

APPLICATIONS:

Applications include washdown applications, food processing, chemical processing, pharmaceuticals, poultry processing, meat processing, dairy applications, bakeries, snack foods, bottling and extremely corrosive environments.