



**PESS56C1.5M-2-RB**

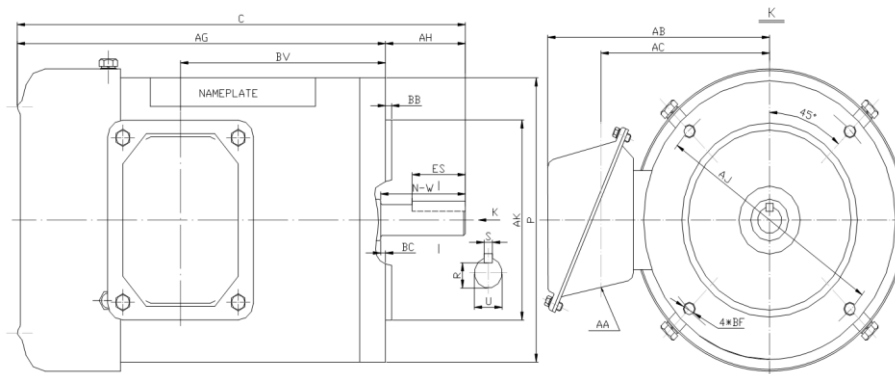
**WASHDOWN DUTY MOTOR**

**NEMA PREMIUM EFFICIENCY**

**STAINLESS STEEL CONSTRUCTION - ROUND BODY (C-FLANGE FOOTLESS)**

**TOTALLY ENCLOSED FAN COOLED - IP66 CONSTRUCTION**

**INVERTER DUTY 10:1 CT; 20:1 VT - NEMA MG1 PART 31**



**DIMENSIONS**

HP	RPM	Frame	Mounting									
			C	P	AK	AJ	AH	AG	BA	BB	BC	BF
1.5	3600	56C	12.57	6.50	4.500	5.875	2.06	10.51	N/A	0.16	-0.19	4*3/8-16

Shaft Extension, Key Set				Conduit Box				Bearings		Mount	
U	R	S	ES	N-W	AA	AB	AC	BV	DE		ODE
0.625	0.517	0.188	1.41	1.88	0.86	5.75	4.25	6.30	6205-2RS	6205-2RS	F1

**BEARING LUBRICATION:** The bearings come lubricated with Mobil Polyrex EM Polyurea Grease.





**PESS56C1.5M-2-RB**

**WASHDOWN DUTY MOTOR**  
**NEMA PREMIUM EFFICIENCY**  
**STAINLESS STEEL CONSTRUCTION - ROUND BODY (C-FLANGE FOOTLESS)**  
**TOTALLY ENCLOSED FAN COOLED - IP66 CONSTRUCTION**  
**INVERTER DUTY 10:1 CT; 20:1 VT - NEMA MG1 PART 31**

**PERFORMANCE DATA**

HP	RPM	Frame	Voltage	Frequency (Hz)	Full Load S.F.	Insulation Class	NEMA Design	Slip (%)	NEMA Code	Enclosure Type	IP Rating	Max. Ambient
1.5	3480	56C	208-230/460	60	1.15	F	B	3.3	K	TEFC	66	40° C

Amps (460V)		Efficiency (%)				Power Factor			Torque (ft-lb)			DE Bearing	ODE Bearing	Connection	Weight (lbs.)
FLA	LRA	100%	75%	50%	Min.	100%	75%	50%	FLT	LRT %	BDT %				
2.0	20.0	84.0	78.0	74.0	81.5	0.86	0.82	0.73	2.3	285	300	6205-2RS	6205-2RS	9 Lead 2Y/Y	38

**NAME PLATE**

				<b>WASHDOWN DUTY STAINLESS STEEL MOTORS</b>		<b>CONNECTION DIAGRAMS</b>	
<b>INVERTER DUTY 20:1 VT; 10:1 CT</b>							
<b>CAT NO:</b> PESS56C1.5M-2-RB		<b>FRAME:</b> 56C		<b>PHASE:</b> 3		<b>208-230V</b> 	
<b>HZ:</b> 60	<b>S.F.:</b> 1.15	<b>HZ:</b> 50	<b>S.F.:</b> 1.2	<b>ENCL:</b> TEFC	<b>IP:</b> 66	<b>460V</b> 	
<b>HP:</b> 1.5	<b>RPM:</b> 3480	<b>HP:</b> 1	<b>RPM:</b> 2865	<b>DUTY:</b> CONT	<b>DES:</b> B		
<b>VOLTS:</b> 208-230/460		<b>VOLTS:</b> 190/380		<b>AMB:</b> 40° C	<b>INS:</b> F		
<b>FLA:</b> 4.2 - 4 / 2		<b>FLA:</b> 3.3/1.65		<b>DE BEARING:</b> 6205-2RS			
<b>CODE:</b> K	<b>P.F.:</b> 0.86	<b>CODE:</b> K	<b>P.F.:</b> 0.88	<b>ODE BEARING:</b> 6205-2RS			
<b>EFF:</b> 84.0	<b>MIN:</b> 81.5	<b>EFF:</b> 81.5	<b>MIN:</b> 78.5	<b>LUB:</b> Mobil Polyrex EM			
<b>MOTOR WEIGHT:</b> 38 LBS		<b>CONNECTION:</b> 9 Lead 2Y/Y		<b>SER NO:</b>			
Special purpose motor designed for washdown applications and extremely corrosive environments. Hernando, Mississippi					CC 082A		

**APPLICATIONS:**

Applications include washdown applications, food processing, chemical processing, pharmaceuticals, poultry processing, meat processing, dairy applications, bakeries, snack foods, bottling and extremely corrosive environments.