



PESS145TC1M-6-RB

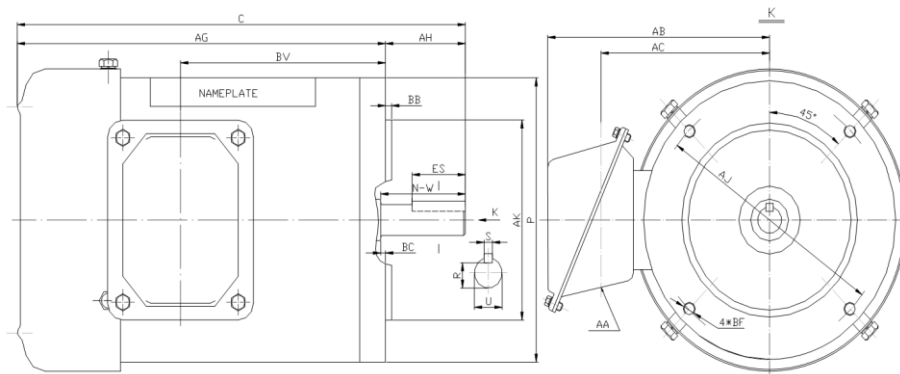
WASHDOWN DUTY MOTOR

NEMA PREMIUM EFFICIENCY

STAINLESS STEEL CONSTRUCTION - ROUND BODY (C-FLANGE FOOTLESS)

TOTALLY ENCLOSED FAN COOLED - IP66 CONSTRUCTION

INVERTER DUTY 10:1 CT; 20:1 VT - NEMA MG1 PART 31



DIMENSIONS

HP	RPM	Frame	Mounting									
			C	P	AK	AJ	AH	AG	BA	BB	BC	BF
1	1200	145TC	16.63	6.50	4.500	5.875	2.12	10.51	N/A	0.16	0.12	4*3/8-16

Shaft Extension, Key Set					Conduit Box				Bearings		Mount
U	R	S	ES	N-W	AA	AB	AC	BV	DE	ODE	
0.875	0.771	0.188	1.41	2.25	0.86	5.75	4.25	6.30	6205-2RS	6205-2RS	F1

BEARING LUBRICATION: The bearings come lubricated with Mobil Polyrex EM Polyurea Grease.





PESS145TC1M-6-RB

WASHDOWN DUTY MOTOR

NEMA PREMIUM EFFICIENCY

STAINLESS STEEL CONSTRUCTION - ROUND BODY (C-FLANGE FOOTLESS)

TOTALLY ENCLOSED FAN COOLED - IP66 CONSTRUCTION

INVERTER DUTY 10:1 CT; 20:1 VT - NEMA MG1 PART 31

PERFORMANCE DATA

HP	RPM	Frame	Voltage	Frequency (Hz)	Full Load S.F.	Insulation Class	NEMA Design	Slip (%)	NEMA Code	Enclosure Type	IP Rating	Max. Ambient
1	1165	145TC	208-230/460	60	1.15	F	B	2.9	K	TEFC	66	40° C

Amps (460V)		Efficiency (%)				Power Factor			Torque (ft-lb)			DE Bearing	ODE Bearing	Connection	Weight (lbs.)
FLA	LRA	100%	75%	50%	Min.	100%	75%	50%	FLT	LRT %	BDT %				
1.9	15.0	82.5	76.0	72.0	80.0	0.61	0.59	0.50	4.4	255	270	6205-2RS	6205-2RS	9 Lead 2Y/Y	42

NAME PLATE

												CONNECTION DIAGRAMS 208-230V 																					
INVERTER DUTY 20:1 VT; 10:1 CT						WASHDOWN DUTY STAINLESS STEEL MOTORS																											
CAT NO:		PESS145TC1M-6-RB				FRAME		145TC		PHASE		3		460V 																			
HZ		60		S.F.		1.15		HZ		50		S.F.								1.2		ENCL		TEFC		IP		66					
HP		1		RPM		1165		HP		3/4		RPM								965		DUTY		CONT		DES		B					
VOLTS		208-230/460				VOLTS		190/380				AMB								40° C		INS		F									
FLA		4 - 3.8 / 1.9				FLA		3.3/1.65				DE BEARING								6205-2RS													
CODE		K		P.F.		0.61		CODE		K		P.F.								0.63		ODE BEARING		6205-2RS									
EFF		82.5		MIN		80.0		EFF		80		MIN								77		LUB:		Mobil Polyrex EM									
MOTOR WEIGHT		42		LBS		CONNECTION		9 Lead 2Y/Y				SER NO																					
Special purpose motor designed for washdown applications and extremely corrosive environments. Hernando, Mississippi												CC 082A																					

APPLICATIONS:

Applications include washdown applications, food processing, chemical processing, pharmaceuticals, poultry processing, meat processing, dairy applications, bakeries, snack foods, bottling and extremely corrosive environments.