



PES56C1M-4-RB

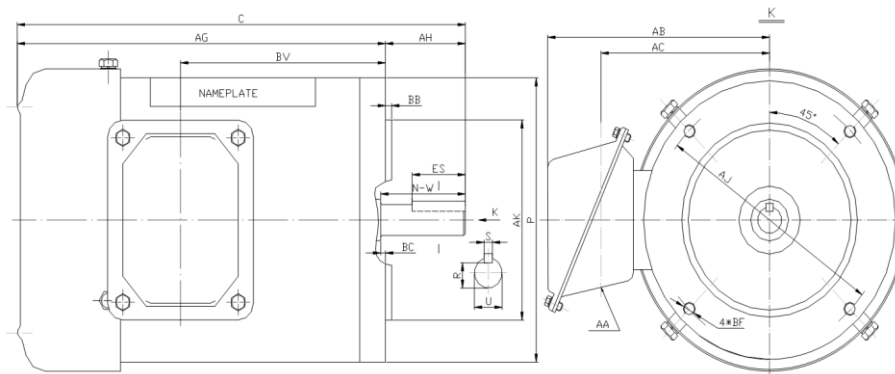
WASHDOWN DUTY MOTOR

NEMA PREMIUM EFFICIENCY

STAINLESS STEEL CONSTRUCTION - ROUND BODY (C-FLANGE FOOTLESS)

TOTALLY ENCLOSED FAN COOLED - IP66 CONSTRUCTION

INVERTER DUTY 10:1 CT; 20:1 VT - NEMA MG1 PART 31



DIMENSIONS

| HP | RPM | Frame | Mounting | | | | | | | | | |
|----|------|-------|----------|------|-------|-------|------|-------|-----|------|-------|----------|
| | | | C | P | AK | AJ | AH | AG | BA | BB | BC | BF |
| 1 | 1800 | 56C | 12.57 | 6.50 | 4.500 | 5.875 | 2.06 | 10.51 | N/A | 0.16 | -0.19 | 4*3/8-16 |

| Shaft Extension, Key Set | | | | | Conduit Box | | | | Bearings | | Mount |
|--------------------------|-------|-------|------|------|-------------|------|------|------|----------|----------|-------|
| U | R | S | ES | N-W | AA | AB | AC | BV | DE | ODE | |
| 0.625 | 0.517 | 0.188 | 1.41 | 1.88 | 0.86 | 5.75 | 4.25 | 6.30 | 6205-2RS | 6205-2RS | F1 |

BEARING LUBRICATION: The bearings come lubricated with Mobil Polyrex EM Polyurea Grease.





PESS56C1M-4-RB

WASHDOWN DUTY MOTOR
NEMA PREMIUM EFFICIENCY
STAINLESS STEEL CONSTRUCTION - ROUND BODY (C-FLANGE FOOTLESS)
TOTALLY ENCLOSED FAN COOLED - IP66 CONSTRUCTION
INVERTER DUTY 10:1 CT; 20:1 VT - NEMA MG1 PART 31

PERFORMANCE DATA

| HP | RPM | Frame | Voltage | Frequency (Hz) | Full Load S.F. | Insulation Class | NEMA Design | Slip (%) | NEMA Code | Enclosure Type | IP Rating | Max. Ambient |
|----|------|-------|-------------|----------------|----------------|------------------|-------------|----------|-----------|----------------|-----------|--------------|
| 1 | 1740 | 56C | 208-230/460 | 60 | 1.15 | F | B | 3.3 | K | TEFC | 66 | 40° C |

| Amps (460V) | | Efficiency (%) | | | | Power Factor | | | Torque (ft-lb) | | | DE Bearing | ODE Bearing | Connection | Weight (lbs.) |
|-------------|------|----------------|------|------|------|--------------|------|------|----------------|-------|-------|------------|-------------|-------------|---------------|
| FLA | LRA | 100% | 75% | 50% | Min. | 100% | 75% | 50% | FLT | LRT % | BDT % | | | | |
| 1.5 | 15.0 | 85.5 | 78.0 | 74.0 | 82.5 | 0.71 | 0.60 | 0.46 | 3.0 | 285 | 300 | 6205-2RS | 6205-2RS | 9 Lead 2Y/Y | 35 |

NAME PLATE

| | | | | | | | |
|---|------------------|-------------------------------|----------------------------|---|--------------|----------------------------|--|
| | | | | WASHDOWN DUTY STAINLESS STEEL MOTORS | | CONNECTION DIAGRAMS | |
| INVERTER DUTY 20:1 VT; 10:1 CT | | | | | | | |
| CAT NO: PESS56C1M-4-RB | | FRAME 56C | | PHASE 3 | | 208-230V | |
| HZ 60 | S.F. 1.15 | HZ 50 | S.F. 1.2 | ENCL TEFC | IP 66 | 460V | |
| HP 1 | RPM 1740 | HP 3/4 | RPM 1450 | DUTY CONT | DES B | | |
| VOLTS 208-230/460 | | VOLTS 190/380 | | AMB 40° C | INS F | | |
| FLA 3.1 - 3 / 1.5 | FLA 3/1.5 | | DE BEARING 6205-2RS | | | | |
| CODE K | P.F. 0.71 | CODE K | P.F. 0.74 | ODE BEARING 6205-2RS | | | |
| EFF 85.5 | MIN 82.5 | EFF 82.5 | MIN 79.5 | LUB: Mobil Polyrex EM | | | |
| MOTOR WEIGHT 35 LBS | | CONNECTION 9 Lead 2Y/Y | | SER NO | | | |
| Special purpose motor designed for washdown applications and extremely corrosive environments. Hernando, Mississippi | | | | | CC 082A | | |

APPLICATIONS:

Applications include washdown applications, food processing, chemical processing, pharmaceuticals, poultry processing, meat processing, dairy applications, bakeries, snack foods, bottling and extremely corrosive environments.