



PES56C1M-2-RB

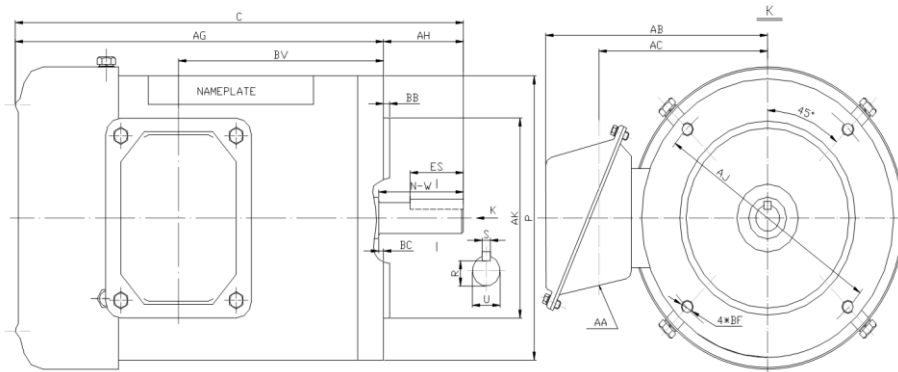
WASHDOWN DUTY MOTOR

NEMA PREMIUM EFFICIENCY

STAINLESS STEEL CONSTRUCTION - ROUND BODY (C-FLANGE FOOTLESS)

TOTALLY ENCLOSED FAN COOLED - IP66 CONSTRUCTION

INVERTER DUTY 10:1 CT; 20:1 VT - NEMA MG1 PART 31



DIMENSIONS

HP	RPM	Frame	Mounting									
			C	P	AK	AJ	AH	AG	BA	BB	BC	BF
1	3600	56C	12.57	6.50	4.500	5.875	2.06	10.51	N/A	0.16	-0.19	4*3/8-16

Shaft Extension, Key Set					Conduit Box				Bearings		Mount
U	R	S	ES	N-W	AA	AB	AC	BV	DE	ODE	
0.625	0.517	0.188	1.41	1.88	0.86	5.75	4.25	6.30	6205-2RS	6205-2RS	F1

BEARING LUBRICATION: The bearings come lubricated with Mobil Polyrex EM Polyurea Grease.





PESS56C1M-2-RB

WASHDOWN DUTY MOTOR
NEMA PREMIUM EFFICIENCY
STAINLESS STEEL CONSTRUCTION - ROUND BODY (C-FLANGE FOOTLESS)
TOTALLY ENCLOSED FAN COOLED - IP66 CONSTRUCTION
INVERTER DUTY 10:1 CT; 20:1 VT - NEMA MG1 PART 31

PERFORMANCE DATA

HP	RPM	Frame	Voltage	Frequency (Hz)	Full Load S.F.	Insulation Class	NEMA Design	Slip (%)	NEMA Code	Enclosure Type	IP Rating	Max. Ambient
1	3470	56C	208-230/460	60	1.15	F	B	3.6	K	TEFC	66	40° C

Amps (460V)		Efficiency (%)				Power Factor			Torque (ft-lb)			DE Bearing	ODE Bearing	Connection	Weight (lbs.)
FLA	LRA	100%	75%	50%	Min.	100%	75%	50%	FLT	LRT %	BDT %				
1.4	15.0	77.0	75.0	74.0	74.0	0.88	0.86	0.78	1.5	285	300	6205-2RS	6205-2RS	9 Lead 2Y/Y	34

NAME PLATE

										CONNECTION DIAGRAMS 208-230V 				
INVERTER DUTY 20:1 VT; 10:1 CT						WASHDOWN DUTY STAINLESS STEEL MOTORS								
CAT NO:		PESS56C1M-2-RB		FRAME		56C		PHASE		3		460V 		
HZ	60	S.F.	1.15	HZ	50	S.F.	1.2	ENCL	TEFC	IP	66			
HP	1	RPM	3470	HP	3/4	RPM	2860	DUTY	CONT	DES	B			
VOLTS	208-230/460			VOLTS	190/380		AMB	40° C		INS	F			
FLA	2.9 - 2.8 / 1.4			FLA	2.5/1.25		DE BEARING		6205-2RS					
CODE	K	P.F.	0.88	CODE	K	P.F.	0.90	ODE BEARING		6205-2RS				
EFF	77.0	MIN	74.0	EFF	74	MIN	71	LUB: Mobil Polyrex EM						
MOTOR WEIGHT	34 LBS		CONNECTION		9 Lead 2Y/Y		SER NO							
Special purpose motor designed for washdown applications and extremely corrosive environments. Hernando, Mississippi												CC 082A		

APPLICATIONS:

Applications include washdown applications, food processing, chemical processing, pharmaceuticals, poultry processing, meat processing, dairy applications, bakeries, snack foods, bottling and extremely corrosive environments.