

**SS56C3/4M-6-RB**

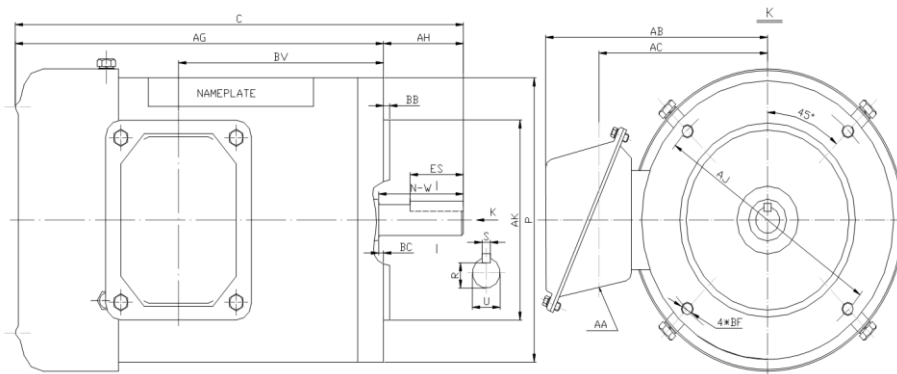
**WASHDOWN DUTY MOTOR**

**HIGH EFFICIENCY / EISA COMPLIANT**

**STAINLESS STEEL CONSTRUCTION - ROUND BODY (C-FLANGE FOOTLESS)**

**TOTALLY ENCLOSED FAN COOLED - IP66 CONSTRUCTION**

**INVERTER DUTY 10:1 CT; 20:1 VT - NEMA MG1 PART 31**



**DIMENSIONS**

HP	RPM	Frame	Mounting									
			C	P	AK	AJ	AH	AG	BA	BB	BC	BF
3/4	1200	56C	12.57	6.50	4.500	5.875	2.06	10.51	0.16	N/A	10.51	4*3/8-16

Shaft Extension, Key Set				Conduit Box				Bearings		Mount	
U	R	S	ES	N-W	AA	AB	AC	BV	DE		ODE
0.625	0.517	0.188	1.41	1.88	0.86	5.75	4.25	6.30	6205-2RS	6205-2RS	F1

**BEARING LUBRICATION:** The bearings come lubricated with Mobil Polyrex EM Polyurea Grease.





## SS56C3/4M-6-RB

**WASHDOWN DUTY MOTOR**

**HIGH EFFICIENCY / EISA COMPLIANT**

**STAINLESS STEEL CONSTRUCTION - ROUND BODY (C-FLANGE FOOTLESS)**

**TOTALLY ENCLOSED FAN COOLED - IP66 CONSTRUCTION**

**INVERTER DUTY 10:1 CT; 20:1 VT - NEMA MG1 PART 31**

### PERFORMANCE DATA

HP	RPM	Frame	Voltage	Frequency (Hz)	Full Load S.F.	Insulation Class	NEMA Design	Slip (%)	NEMA Code	Enclosure Type	IP Rating	Max. Ambient
3/4	1155	56C	208-230/460	60	1.15	F	B	3.8	K	TEFC	66	40° C

Amps (460V)		Efficiency (%)				Power Factor			Torque (ft-lb)			DE Bearing	ODE Bearing	Connection	Weight (lbs.)
FLA	LRA	100%	75%	50%	Min.	100%	75%	50%	FLT	LRT %	BDT %				
1.9	12.5	80.0	76.0	71.0	77.0	0.65	0.58	0.50	3.3	255	280	6205-2RS	6205-2RS	9 Lead 2Y/Y	34

### NAME PLATE

<b>WASHDOWN DUTY STAINLESS STEEL MOTOR</b>										<b>CONNECTION DIAGRAMS</b>  <b>208-230V</b> 		
<b>INVERTER DUTY 20:1 VT; 10:1 CT</b>					<b>HIGH EFFICIENCY COMPLIANT EISA</b>							
CAT NO: SS56C3/4M-6-RB			FRAME 56C			PHASE 3				<b>460V</b> 		
HZ 60	S.F. 1.15	HZ 50	S.F. 1.2	ENCL TEFC	IP 66	HP 3/4	RPM 1155	HP 1/2	RPM 955			
VOLTS 208-230/460			VOLTS 190/380			AMB 40° C			INS F			
FLA 3.8 - 3.7 / 1.85			FLA 2.8/1.4			DE BEARING 6205-2RS						
CODE K	P.F. 0.65	CODE K	P.F. 0.67	ODE BEARING 6205-2RS								
EFF 80.0	MIN 77.0	EFF 77	MIN 74	LUB: Mobil Polyrex EM								
MOTOR WEIGHT 34 LBS		CONNECTION 9 Lead 2Y/Y			SER NO							
Special purpose motor designed for washdown applications and extremely corrosive environments. Hernando, Mississippi										CC 082A		

### APPLICATIONS:

Applications include washdown applications, food processing, chemical processing, pharmaceuticals, poultry processing, meat processing, dairy applications, bakeries, snack foods, bottling and extremely corrosive environments.