

SS56C3/4M-2-RB

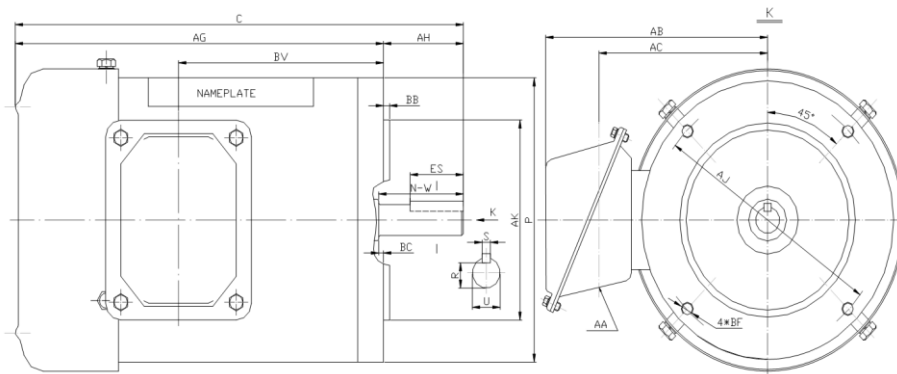
WASHDOWN DUTY MOTOR

HIGH EFFICIENCY / EISA COMPLIANT

STAINLESS STEEL CONSTRUCTION - ROUND BODY (C-FLANGE FOOTLESS)

TOTALLY ENCLOSED FAN COOLED - IP66 CONSTRUCTION

INVERTER DUTY 10:1 CT; 20:1 VT - NEMA MG1 PART 31



DIMENSIONS

HP	RPM	Frame	Mounting									
			C	P	AK	AJ	AH	AG	BA	BB	BC	BF
3/4	3600	56C	12.57	6.50	4.500	5.875	2.06	10.51	0.16	N/A	10.51	4*3/8-16

Shaft Extension, Key Set				Conduit Box				Bearings		Mount	
U	R	S	ES	N-W	AA	AB	AC	BV	DE		ODE
0.625	0.517	0.188	1.41	1.88	0.86	5.75	4.25	6.30	6205-2RS	6205-2RS	F1

BEARING LUBRICATION: The bearings come lubricated with Mobil Polyrex EM Polyurea Grease.





SS56C3/4M-2-RB

WASHDOWN DUTY MOTOR

HIGH EFFICIENCY / EISA COMPLIANT

STAINLESS STEEL CONSTRUCTION - ROUND BODY (C-FLANGE FOOTLESS)

TOTALLY ENCLOSED FAN COOLED - IP66 CONSTRUCTION

INVERTER DUTY 10:1 CT; 20:1 VT - NEMA MG1 PART 31

PERFORMANCE DATA

HP	RPM	Frame	Voltage	Frequency (Hz)	Full Load S.F.	Insulation Class	NEMA Design	Slip (%)	NEMA Code	Enclosure Type	IP Rating	Max. Ambient
3/4	3500	56C	208-230/460	60	1.15	F	B	2.8	K	TEFC	66	40° C

Amps (460V)		Efficiency (%)				Power Factor			Torque (ft-lb)			DE Bearing	ODE Bearing	Connection	Weight (lbs.)
FLA	LRA	100%	75%	50%	Min.	100%	75%	50%	FLT	LRT %	BDT %				
1.1	12.5	80.0	77.0	70.0	77.0	0.90	0.81	0.72	1.1	285	300	6205-2RS	6205-2RS	9 Lead 2Y/Y	33

NAME PLATE

WASHDOWN DUTY STAINLESS STEEL MOTOR										CONNECTION DIAGRAMS 208-230V 					
INVERTER DUTY 20:1 VT; 10:1 CT													HIGH EFFICIENCY COMPLIANT		
CAT NO: SS56C3/4M-2-RB			FRAME 56C			PHASE 3				460V 					
HZ 60		S.F. 1.15		HZ 50		S.F. 1.2		ENCL TEFC					IP 66		
HP 3/4		RPM 3500		HP 1/2		RPM 2880		DUTY CONT		DES B					
VOLTS 208-230/460			VOLTS 190/380			AMB 40° C		INS F							
FLA 2.3 - 2.2 / 1.1			FLA 1.8/0.9			DE BEARING 6205-2RS									
CODE K		P.F. 0.90		CODE K		P.F. 0.91		ODE BEARING 6205-2RS							
EFF 80.0		MIN 77.0		EFF 77		MIN 74		LUB: Mobil Polyrex EM							
MOTOR WEIGHT 33 LBS			CONNECTION 9 Lead 2Y/Y			SER NO									
Special purpose motor designed for washdown applications and extremely corrosive environments. Hernando, Mississippi										CC 082A					

APPLICATIONS:

Applications include washdown applications, food processing, chemical processing, pharmaceuticals, poultry processing, meat processing, dairy applications, bakeries, snack foods, bottling and extremely corrosive environments.