

SS56C1/2M-6-RB

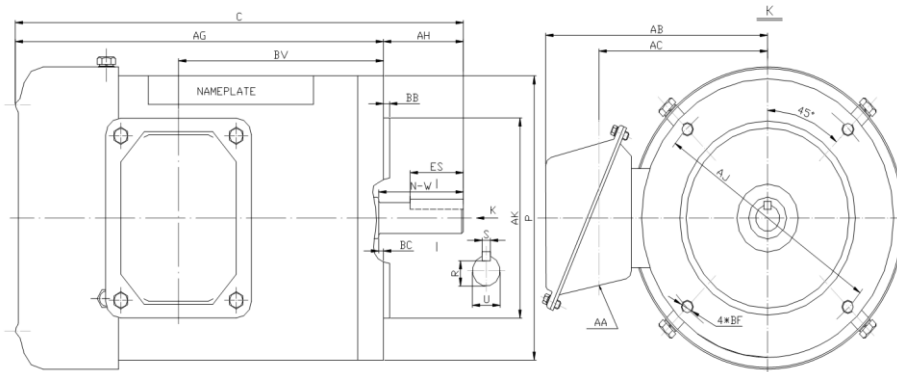
WASHDOWN DUTY MOTOR

HIGH EFFICIENCY / EISA COMPLIANT

STAINLESS STEEL CONSTRUCTION - ROUND BODY (C-FLANGE FOOTLESS)

TOTALLY ENCLOSED FAN COOLED - IP66 CONSTRUCTION

INVERTER DUTY 10:1 CT; 20:1 VT - NEMA MG1 PART 31



DIMENSIONS

HP	RPM	Frame	Mounting									
			C	P	AK	AJ	AH	AG	BA	BB	BC	BF
1/2	1200	56C	11.59	6.50	4.500	5.875	2.06	9.53	0.16	N/A	9.53	4*3/8-16

Shaft Extension, Key Set				Conduit Box				Bearings		Mount	
U	R	S	ES	N-W	AA	AB	AC	BV	DE		ODE
0.625	0.517	0.188	1.41	1.88	0.86	5.75	4.25	5.30	6205-2RS	6205-2RS	F1

BEARING LUBRICATION: The bearings come lubricated with Mobil Polyrex EM Polyurea Grease.





SS56C1/2M-6-RB

WASHDOWN DUTY MOTOR

HIGH EFFICIENCY / EISA COMPLIANT

STAINLESS STEEL CONSTRUCTION - ROUND BODY (C-FLANGE FOOTLESS)

TOTALLY ENCLOSED FAN COOLED - IP66 CONSTRUCTION

INVERTER DUTY 10:1 CT; 20:1 VT - NEMA MG1 PART 31

PERFORMANCE DATA

HP	RPM	Frame	Voltage	Frequency (Hz)	Full Load S.F.	Insulation Class	NEMA Design	Slip (%)	NEMA Code	Enclosure Type	IP Rating	Max. Ambient
1/2	1155	56C	208-230/460	60	1.15	F	B	3.8	K	TEFC	66	40° C

Amps (460V)		Efficiency (%)				Power Factor			Torque (ft-lb)			DE Bearing	ODE Bearing	Connection	Weight (lbs.)
FLA	LRA	100%	75%	50%	Min.	100%	75%	50%	FLT	LRT %	BDT %				
0.9	10.0	80.0	76.0	69.0	77.0	0.63	0.55	0.47	2.2	255	270	6205-2RS	6205-2RS	9 Lead 2Y/Y	31

NAME PLATE

WASHDOWN DUTY STAINLESS STEEL MOTOR										CONNECTION DIAGRAMS 208-230V 					
INVERTER DUTY 20:1 VT; 10:1 CT													HIGH EFFICIENCY COMPLIANT EISA		
CAT NO:		SS56C1/2M-6-RB			FRAME		56C		PHASE		3		460V 		
HZ	60	S.F.	1.15	HZ	50	S.F.	1.2	ENCL	TEFC	IP	66				
HP	1/2	RPM	1155	HP	1/3	RPM	960	DUTY	CONT	DES	B				
VOLTS		208-230/460			VOLTS		190/380		AMB	40° C	INS				F
FLA		1.9 - 1.8 / 0.9			FLA		1.5/0.75		DE BEARING			6205-2RS			
CODE		K	P.F.	0.63	CODE		K	P.F.	0.65	ODE BEARING		6205-2RS			
EFF		80.0	MIN	77.0	EFF	77	MIN	74	LUB:			Mobil Polyrex EM			
MOTOR WEIGHT		31 LBS		CONNECTION			9 Lead 2Y/Y			SER NO					
Special purpose motor designed for washdown applications and extremely corrosive environments. Hernando, Mississippi															
CC 082A															

APPLICATIONS:

Applications include washdown applications, food processing, chemical processing, pharmaceuticals, poultry processing, meat processing, dairy applications, bakeries, snack foods, bottling and extremely corrosive environments.