

SS56C1/2M-4-RB

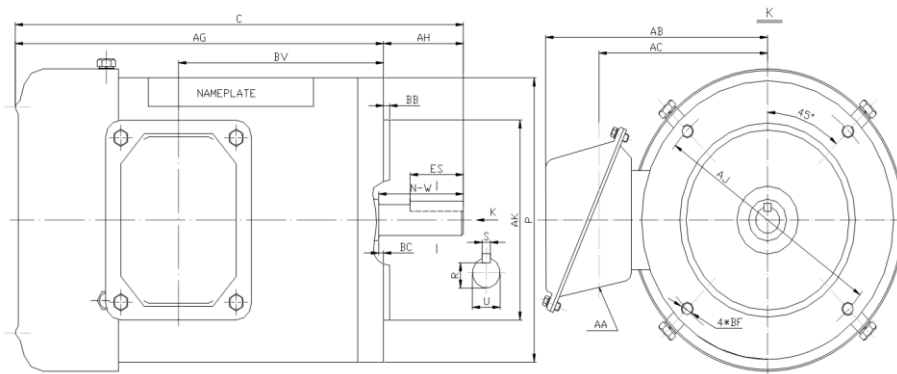
WASHDOWN DUTY MOTOR

HIGH EFFICIENCY / EISA COMPLIANT

STAINLESS STEEL CONSTRUCTION - ROUND BODY (C-FLANGE FOOTLESS)

TOTALLY ENCLOSED FAN COOLED - IP66 CONSTRUCTION

INVERTER DUTY 10:1 CT; 20:1 VT - NEMA MG1 PART 31



DIMENSIONS

HP	RPM	Frame	Mounting									
			C	P	AK	AJ	AH	AG	BA	BB	BC	BF
1/2	1800	56C	11.59	6.50	4.500	5.875	2.06	9.53	0.16	N/A	9.53	4*3/8-16

Shaft Extension, Key Set				Conduit Box				Bearings		Mount	
U	R	S	ES	N-W	AA	AB	AC	BV	DE		ODE
0.625	0.517	0.188	1.41	1.88	0.86	5.75	4.25	5.30	6205-2RS	6205-2RS	F1

BEARING LUBRICATION: The bearings come lubricated with Mobil Polyrex EM Polyurea Grease.





SS56C1/2M-4-RB

WASHDOWN DUTY MOTOR

HIGH EFFICIENCY / EISA COMPLIANT

STAINLESS STEEL CONSTRUCTION - ROUND BODY (C-FLANGE FOOTLESS)

TOTALLY ENCLOSED FAN COOLED - IP66 CONSTRUCTION

INVERTER DUTY 10:1 CT; 20:1 VT - NEMA MG1 PART 31

PERFORMANCE DATA

HP	RPM	Frame	Voltage	Frequency (Hz)	Full Load S.F.	Insulation Class	NEMA Design	Slip (%)	NEMA Code	Enclosure Type	IP Rating	Max. Ambient
1/2	1745	56C	208-230/460	60	1.15	F	B	3.1	K	TEFC	66	40° C

Amps (460V)		Efficiency (%)				Power Factor			Torque (ft-lb)			DE Bearing	ODE Bearing	Connection	Weight (lbs.)
FLA	LRA	100%	75%	50%	Min.	100%	75%	50%	FLT	LRT %	BDT %				
0.8	10.0	82.5	77.0	72.0	80.0	0.78	0.62	0.53	1.5	285	300	6205-2RS	6205-2RS	9 Lead 2Y/Y	29

NAME PLATE

WASHDOWN DUTY STAINLESS STEEL MOTOR										CONNECTION DIAGRAMS 208-230V 		
INVERTER DUTY 20:1 VT; 10:1 CT					HIGH EFFICIENCY COMPLIANT EISA							
CAT NO: SS56C1/2M-4-RB			FRAME 56C			PHASE 3				460V 		
HZ 60	S.F. 1.15	HZ 50	S.F. 1.2	ENCL TEFC	IP 66	HP 1/2	RPM 1745	HP 1/3	RPM 1450			
VOLTS 208-230/460			VOLTS 190/380			AMB 40° C			INS F			
FLA 1.8 - 1.6 / 0.8			FLA 1.4/0.7			DE BEARING 6205-2RS						
CODE K		P.F. 0.78	CODE K		P.F. 0.80	ODE BEARING 6205-2RS						
EFF 82.5		MIN 80.0	EFF 80		MIN 77	LUB: Mobil Polyrex EM						
MOTOR WEIGHT 29 LBS			CONNECTION 9 Lead 2Y/Y			SER NO						
Special purpose motor designed for washdown applications and extremely corrosive environments. Hernando, Mississippi										CC 082A		

APPLICATIONS:

Applications include washdown applications, food processing, chemical processing, pharmaceuticals, poultry processing, meat processing, dairy applications, bakeries, snack foods, bottling and extremely corrosive environments.