

SS56C1/3M-2-RB

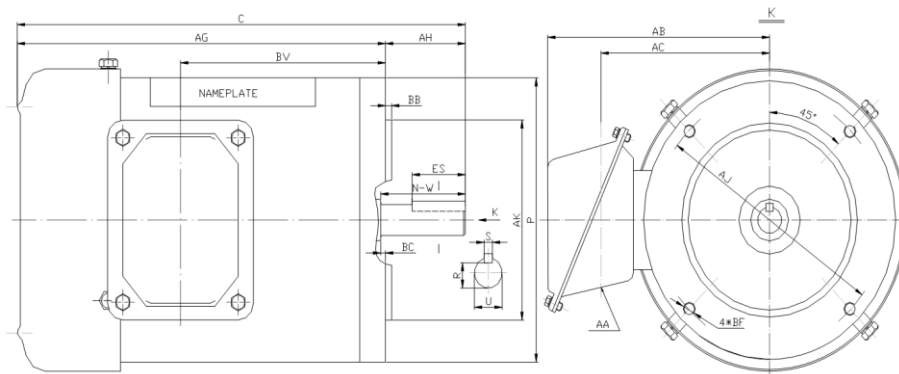
WASHDOWN DUTY MOTOR

HIGH EFFICIENCY / EISA COMPLIANT

STAINLESS STEEL CONSTRUCTION - ROUND BODY (C-FLANGE FOOTLESS)

TOTALLY ENCLOSED FAN COOLED - IP66 CONSTRUCTION

INVERTER DUTY 10:1 CT; 20:1 VT - NEMA MG1 PART 31



DIMENSIONS

HP	RPM	Frame	Mounting									
			C	P	AK	AJ	AH	AG	BA	BB	BC	BF
1/3	3600	56C	11.59	6.50	4.500	5.875	2.06	9.53	0.16	N/A	9.53	4*3/8-16

Shaft Extension, Key Set				Conduit Box				Bearings		Mount	
U	R	S	ES	N-W	AA	AB	AC	BV	DE		ODE
0.625	0.517	0.188	1.41	1.88	0.86	5.75	4.25	5.30	6205-2RS	6205-2RS	F1

BEARING LUBRICATION: The bearings come lubricated with Mobil Polyrex EM Polyurea Grease.





SS56C1/3M-2-RB

WASHDOWN DUTY MOTOR

HIGH EFFICIENCY / EISA COMPLIANT

STAINLESS STEEL CONSTRUCTION - ROUND BODY (C-FLANGE FOOTLESS)

TOTALLY ENCLOSED FAN COOLED - IP66 CONSTRUCTION

INVERTER DUTY 10:1 CT; 20:1 VT - NEMA MG1 PART 31

PERFORMANCE DATA

HP	RPM	Frame	Voltage	Frequency (Hz)	Full Load S.F.	Insulation Class	NEMA Design	Slip (%)	NEMA Code	Enclosure Type	IP Rating	Max. Ambient
1/3	3500	56C	208-230/460	60	1.15	F	B	2.8	K	TEFC	66	40° C

Amps (460V)		Efficiency (%)					Power Factor			Torque (ft-lb)			DE Bearing	ODE Bearing	Connection	Weight (lbs.)
FLA	LRA	100%	75%	50%	Min.	100%	75%	50%	FLT	LRT %	BDT %					
0.6	8.0	74.0	64.0	59.0	71.0	0.85	0.72	0.62	0.5	285	300	6205-2RS	6205-2RS	9 Lead 2Y/Y	26	

NAME PLATE

WASHDOWN DUTY STAINLESS STEEL MOTOR										CONNECTION DIAGRAMS 208-230V 		
INVERTER DUTY 20:1 VT; 10:1 CT												
CAT NO: SS56C1/3M-2-RB			FRAME 56C			PHASE 3				460V 		
HZ 60	S.F. 1.15	HZ 50	S.F. 1.2	ENCL TEFC	IP 66	HP 1/3	RPM 3500	HP 1/4	RPM 2880			
VOLTS 208-230/460			VOLTS 190/380			AMB 40° C			INS F			
FLA 1.2 - 1.1 / 0.55			FLA 1.1/0.55			DE BEARING 6205-2RS						
CODE K		P.F. 0.85	CODE K		P.F. 0.87	ODE BEARING 6205-2RS						
EFF 74.0		MIN 71.0	EFF 71.5		MIN 69	LUB: Mobil Polyrex EM						
MOTOR WEIGHT 26 LBS			CONNECTION 9 Lead 2Y/Y			SER NO						
Special purpose motor designed for washdown applications and extremely corrosive environments. Hernando, Mississippi										CC 082A		

APPLICATIONS:

Applications include washdown applications, food processing, chemical processing, pharmaceuticals, poultry processing, meat processing, dairy applications, bakeries, snack foods, bottling and extremely corrosive environments.