

PESS254TC15M-4

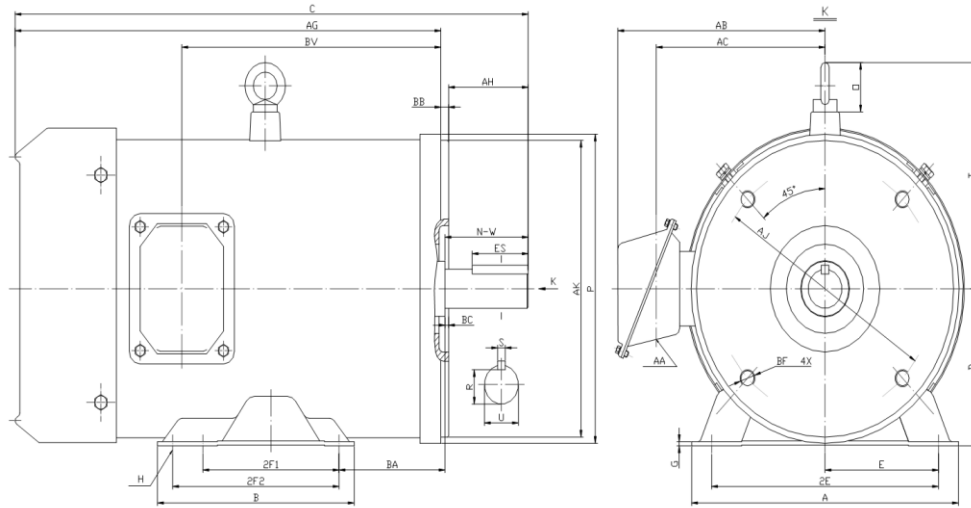
WASHDOWN DUTY MOTOR

NEMA PREMIUM EFFICIENCY

STAINLESS STEEL CONSTRUCTION - C-FLANGE WITH FEET

TOTALLY ENCLOSED FAN COOLED - IP66 CONSTRUCTION

INVERTER DUTY 10:1 CT; 20:1 VT - NEMA MG1 PART 31



DIMENSIONS

HP	RPM	Frame	Mounting													
			A	B	C	D	G	H	E	2E	2F1	2F2	P	AK	AJ	AH
15	1800	254TC	11.20	9.50	23.20	6.25	0.47	0.53	5.00	10.00	8.25	0.00	11.72	8.500	7.250	3.75

Mounting					Shaft Extension, Key Set					Conduit Box				Bearings		Mount
AG	BA	BB	BC	BF	U	R	S	ES	N-W	AA	AB	AC	BV	DE	ODE	
19.20	4.75	0.25	0.25	4*1/2-13	1.625	1.416	0.375	2.91	4.00	1.00	9.50	7.80	12.50	6309-2RS	6309-2RS	F1

BEARING LUBRICATION: The bearings come lubricated with Mobil Polyrex EM Polyurea Grease.



PESS254TC15M-4

WASHDOWN DUTY MOTOR
NEMA PREMIUM EFFICIENCY
STAINLESS STEEL CONSTRUCTION - C-FLANGE WITH FEET
TOTALLY ENCLOSED FAN COOLED - IP66 CONSTRUCTION
INVERTER DUTY 10:1 CT; 20:1 VT - NEMA MG1 PART 31

PERFORMANCE DATA

HP	RPM	Frame	Voltage	Frequency (Hz)	Full Load S.F.	Insulation Class	NEMA Design	Slip (%)	NEMA Code	Enclosure Type	IP Rating	Max. Ambient
15	1765	254TC	208-230/460	60	1.15	F	B	1.9	G	TEFC	66	40° C

Amps (460V)		Efficiency (%)				Power Factor			Torque (ft-lb)			DE Bearing	ODE Bearing	Connection	Weight (lbs.)
FLA	LRA	100%	75%	50%	Min.	100%	75%	50%	FLT	LRT %	BDT %				
18.5	116.0	92.4	92.0	91.5	91.0	0.88	0.75	0.62	44.0	225	260	6309-2RS	6309-2RS	12 Lead 2Δ/Δ	286

NAME PLATE

				WASHDOWN DUTY STAINLESS STEEL MOTORS		CONNECTION DIAGRAMS	
INVERTER DUTY 20:1 VT; 10:1 CT						208-230V	
CAT NO:	PESS254TC15M-4	FRAME	254TC	PHASE	3		
HZ	60	S.F.	1.15	HZ	50	S.F.	1.2
ENCL	TEFC	IP	66	DUTY	CONT	DES	B
HP	15	RPM	1765	HP	10	RPM	1465
VOLTS	208-230/460	VOLTS	190/380	AMB	40° C	INS	F
FLA	40 - 37 / 18.5	FLA	30/15	DE BEARING	6309-2RS		
CODE	G	P.F.	0.88	CODE	G	P.F.	0.90
ODE BEARING	6309-2RS			LUB:	Mobil Polyrex EM		
MOTOR WEIGHT	286	LBS		CONNECTION	12 Lead 2Δ/Δ		SER NO
Special purpose motor designed for washdown applications and extremely corrosive environments. Hernando, Mississippi							
						460V	

APPLICATIONS:

Applications include washdown applications, food processing, chemical processing, pharmaceuticals, poultry processing, meat processing, dairy applications, bakeries, snack foods, bottling and extremely corrosive environments.