

PESS254TC15M-2

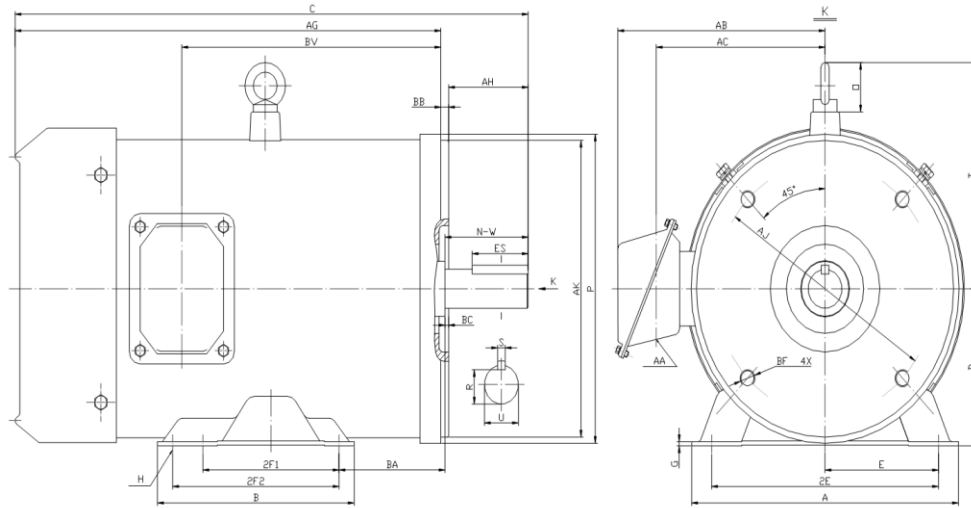
WASHDOWN DUTY MOTOR

NEMA PREMIUM EFFICIENCY

STAINLESS STEEL CONSTRUCTION - C-FLANGE WITH FEET

TOTALLY ENCLOSED FAN COOLED - IP66 CONSTRUCTION

INVERTER DUTY 10:1 CT; 20:1 VT - NEMA MG1 PART 31



DIMENSIONS

HP	RPM	Frame	Mounting													
			A	B	C	D	G	H	E	2E	2F1	2F2	P	AK	AJ	AH
15	3600	254TC	11.20	9.50	23.20	6.25	0.47	0.53	5.00	10.00	8.25	0.00	11.72	8.500	7.250	3.75

Mounting					Shaft Extension, Key Set					Conduit Box				Bearings		Mount
AG	BA	BB	BC	BF	U	R	S	ES	N-W	AA	AB	AC	BV	DE	ODE	
19.20	4.75	0.25	0.25	4*1/2-13	1.625	1.416	0.375	2.91	4.00	1.00	9.50	7.80	12.50	6309-2RS	6309-2RS	F1

BEARING LUBRICATION: The bearings come lubricated with Mobil Polyrex EM Polyurea Grease.



PESS254TC15M-2

WASHDOWN DUTY MOTOR
NEMA PREMIUM EFFICIENCY
STAINLESS STEEL CONSTRUCTION - C-FLANGE WITH FEET
TOTALLY ENCLOSED FAN COOLED - IP66 CONSTRUCTION
INVERTER DUTY 10:1 CT; 20:1 VT - NEMA MG1 PART 31

PERFORMANCE DATA

HP	RPM	Frame	Voltage	Frequency (Hz)	Full Load S.F.	Insulation Class	NEMA Design	Slip (%)	NEMA Code	Enclosure Type	IP Rating	Max. Ambient
15	3540	254TC	208-230/460	60	1.15	F	B	1.7	G	TEFC	66	40° C

Amps (460V)		Efficiency (%)				Power Factor			Torque (ft-lb)			DE Bearing	ODE Bearing	Connection	Weight (lbs.)
FLA	LRA	100%	75%	50%	Min.	100%	75%	50%	FLT	LRT %	BDT %				
18.5	116.0	91.0	90.5	90.0	89.5	0.90	0.85	0.76	22.0	225	260	6309-2RS	6309-2RS	12 Lead 2Δ/Δ	253

NAME PLATE

				WASHDOWN DUTY STAINLESS STEEL MOTORS		CONNECTION DIAGRAMS	
INVERTER DUTY 20:1 VT; 10:1 CT		WASHDOWN DUTY STAINLESS STEEL MOTORS		CONNECTION DIAGRAMS		208-230V	
CAT NO: PESS254TC15M-2		FRAME: 254TC		PHASE: 3			
HZ: 60 S.F.: 1.15		HZ: 50 S.F.: 1.2		ENCL: TEFC		IP: 66	
HP: 15 RPM: 3540		HP: 10 RPM: 2935		DUTY: CONT		DES: B	
VOLTS: 208-230/460		VOLTS: 190/380		AMB: 40° C		INS: F	
FLA: 40 - 37 / 18.5		FLA: 30/15		DE BEARING: 6309-2RS			
CODE: G P.F.: 0.90		CODE: G P.F.: 0.91		ODE BEARING: 6309-2RS			
EFF: 91.0 MIN: 89.5		EFF: 89.5 MIN: 87.5		LUB: Mobil Polyrex EM			
MOTOR WEIGHT: 253 LBS:		CONNECTION: 12 Lead 2Δ/Δ		SER NO:			
Special purpose motor designed for washdown applications and extremely corrosive environments. Hernando, Mississippi							
						460V	
						CC 082A	

APPLICATIONS:

Applications include washdown applications, food processing, chemical processing, pharmaceuticals, poultry processing, meat processing, dairy applications, bakeries, snack foods, bottling and extremely corrosive environments.