

PESS215TC10M-4

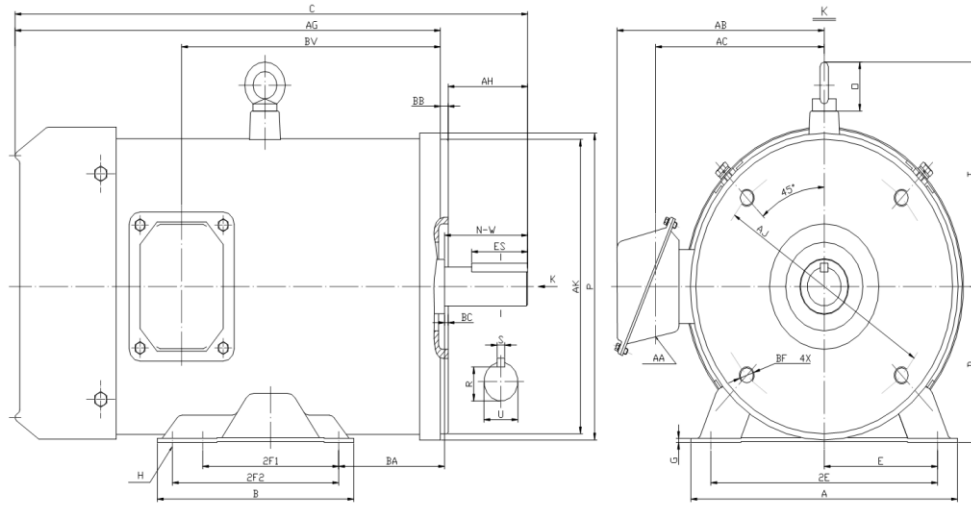
WASHDOWN DUTY MOTOR

NEMA PREMIUM EFFICIENCY

STAINLESS STEEL CONSTRUCTION - C-FLANGE WITH FEET

TOTALLY ENCLOSED FAN COOLED - IP66 CONSTRUCTION

INVERTER DUTY 10:1 CT; 20:1 VT - NEMA MG1 PART 31



DIMENSIONS

HP	RPM	Frame	Mounting													
			A	B	C	D	G	H	E	2E	2F1	2F2	P	AK	AJ	AH
10	1800	215TC	9.60	8.10	21.50	5.25	0.16	0.41	4.25	8.50	5.50	7.00	10.08	8.500	7.250	3.12

Mounting					Shaft Extension, Key Set					Conduit Box				Bearings		Mount
AG	BA	BB	BC	BF	U	R	S	ES	N-W	AA	AB	AC	BV	DE	ODE	
18.13	4.25	0.25	0.25	4*1/2-13	1.375	1.201	0.312	2.41	3.38	0.94	7.70	6.20	12.15	6308-2RS	6208-2RS	F1

BEARING LUBRICATION: The bearings come lubricated with Mobil Polyrex EM Polyurea Grease.



PESS215TC10M-4

WASHDOWN DUTY MOTOR
NEMA PREMIUM EFFICIENCY
STAINLESS STEEL CONSTRUCTION - C-FLANGE WITH FEET
TOTALLY ENCLOSED FAN COOLED - IP66 CONSTRUCTION
INVERTER DUTY 10:1 CT; 20:1 VT - NEMA MG1 PART 31

PERFORMANCE DATA

HP	RPM	Frame	Voltage	Frequency (Hz)	Full Load S.F.	Insulation Class	NEMA Design	Slip (%)	NEMA Code	Enclosure Type	IP Rating	Max. Ambient
10	1760	215TC	208-230/460	60	1.15	F	B	2.2	H	TEFC	66	40° C

Amps (460V)		Efficiency (%)				Power Factor			Torque (ft-lb)			DE Bearing	ODE Bearing	Connection	Weight (lbs.)
FLA	LRA	100%	75%	50%	Min.	100%	75%	50%	FLT	LRT %	BDT %				
12.2	81.0	91.7	92.0	91.0	90.2	0.85	0.76	0.65	29.3	250	270	6308-2RS	6208-2RS	9 Lead 2Y/Y	210

NAME PLATE

				WASHDOWN DUTY STAINLESS STEEL MOTORS		CONNECTION DIAGRAMS	
INVERTER DUTY 20:1 VT; 10:1 CT							
CAT NO: PESS215TC10M-4		FRAME 215TC		PHASE 3		208-230V	
HZ 60	S.F. 1.15	HZ 50	S.F. 1.2	ENCL TEFC	IP 66		
HP 10	RPM 1760	HP 7.5	RPM 1460	DUTY CONT	DES B		
VOLTS 208-230/460		VOLTS 190/380		AMB 40° C	INS F		
FLA 26 - 24.4 / 12.2		FLA 22/11		DE BEARING 6308-2RS			
CODE H	P.F. 0.85	CODE H	P.F. 0.87	ODE BEARING 6208-2RS			
EFF 91.7	MIN 90.2	EFF 90	MIN 88.5	LUB: Mobil Polyrex EM			
MOTOR WEIGHT 210 LBS		CONNECTION 9 Lead 2Y/Y		SER NO		460V	
Special purpose motor designed for washdown applications and extremely corrosive environments. Hernando, Mississippi					CC 082A		

APPLICATIONS:

Applications include washdown applications, food processing, chemical processing, pharmaceuticals, poultry processing, meat processing, dairy applications, bakeries, snack foods, bottling and extremely corrosive environments.