

PESS215TC5M-6

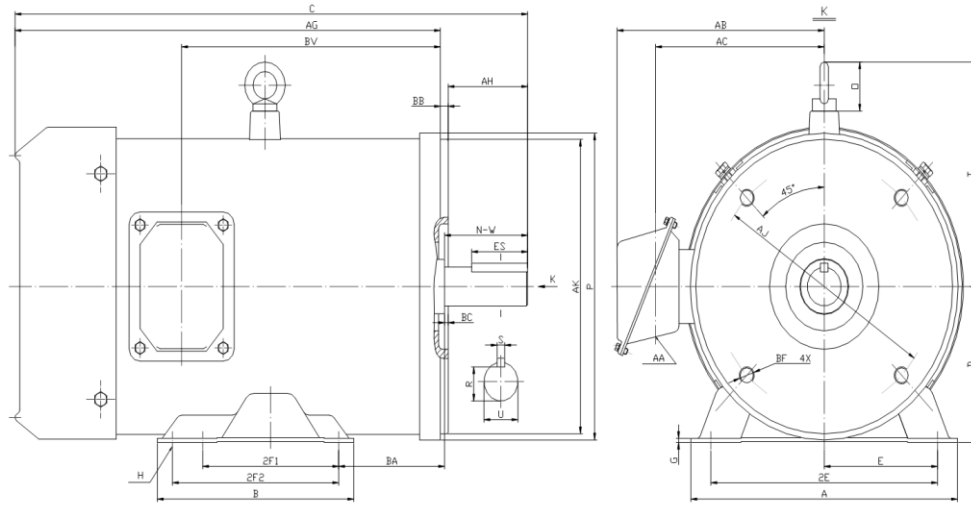
WASHDOWN DUTY MOTOR

NEMA PREMIUM EFFICIENCY

STAINLESS STEEL CONSTRUCTION - C-FLANGE WITH FEET

TOTALLY ENCLOSED FAN COOLED - IP66 CONSTRUCTION

INVERTER DUTY 10:1 CT; 20:1 VT - NEMA MG1 PART 31



DIMENSIONS

HP	RPM	Frame	Mounting													
			A	B	C	D	G	H	E	2E	2F1	2F2	P	AK	AJ	AH
5	1200	215TC	9.60	8.10	21.50	5.25	0.16	0.41	4.25	8.50	5.50	7.00	10.08	8.500	7.250	3.12

Mounting					Shaft Extension, Key Set					Conduit Box				Bearings		Mount
AG	BA	BB	BC	BF	U	R	S	ES	N-W	AA	AB	AC	BV	DE	ODE	
18.13	4.25	0.25	0.25	4*1/2-13	1.375	1.201	0.312	2.41	3.38	0.94	7.70	6.20	12.15	6308-2RS	6208-2RS	F1

BEARING LUBRICATION: The bearings come lubricated with Mobil Polyrex EM Polyurea Grease.



PESS215TC5M-6

WASHDOWN DUTY MOTOR
NEMA PREMIUM EFFICIENCY
STAINLESS STEEL CONSTRUCTION - C-FLANGE WITH FEET
TOTALLY ENCLOSED FAN COOLED - IP66 CONSTRUCTION
INVERTER DUTY 10:1 CT; 20:1 VT - NEMA MG1 PART 31

PERFORMANCE DATA

HP	RPM	Frame	Voltage	Frequency (Hz)	Full Load S.F.	Insulation Class	NEMA Design	Slip (%)	NEMA Code	Enclosure Type	IP Rating	Max. Ambient
5	1175	215TC	208-230/460	60	1.15	F	B	2.1	J	TEFC	66	40° C

Amps (460V)		Efficiency (%)				Power Factor			Torque (ft-lb)			DE Bearing	ODE Bearing	Connection	Weight (lbs.)
FLA	LRA	100%	75%	50%	Min.	100%	75%	50%	FLT	LRT %	BDT %				
6.8	46.0	87.5	87.5	86.0	85.5	0.78	0.67	0.55	22.1	250	270	6308-2RS	6208-2RS	9 Lead 2Y/Y	197

NAME PLATE

												CONNECTION DIAGRAMS 208-230V 								
INVERTER DUTY 20:1 VT; 10:1 CT						WASHDOWN DUTY STAINLESS STEEL MOTORS														
CAT NO:		PESS215TC5M-6				FRAME		215TC		PHASE		3		460V 						
HZ	60	S.F.	1.15	HZ	50	S.F.	1.2	ENCL	TEFC	IP	66									
HP	5	RPM	1175	HP	3	RPM	970	DUTY	CONT	DES	B									
VOLTS		208-230/460				VOLTS		190/380		AMB	40° C	INS	F							
FLA	14.5 - 13.6 / 6.8		FLA				10.2/5.1		DE BEARING				6308-2RS							
CODE	J	P.F.	0.78	CODE	J	P.F.	0.80	ODE BEARING				6208-2RS								
EFF	87.5	MIN	85.5	EFF	85.5	MIN	83	LUB:				Mobil Polyrex EM								
MOTOR WEIGHT		197 LBS		CONNECTION		9 Lead 2Y/Y		SER NO												
Special purpose motor designed for washdown applications and extremely corrosive environments. Hernando, Mississippi												CC 082A								

APPLICATIONS:

Applications include washdown applications, food processing, chemical processing, pharmaceuticals, poultry processing, meat processing, dairy applications, bakeries, snack foods, bottling and extremely corrosive environments.