

**PESS213TC3M-6**

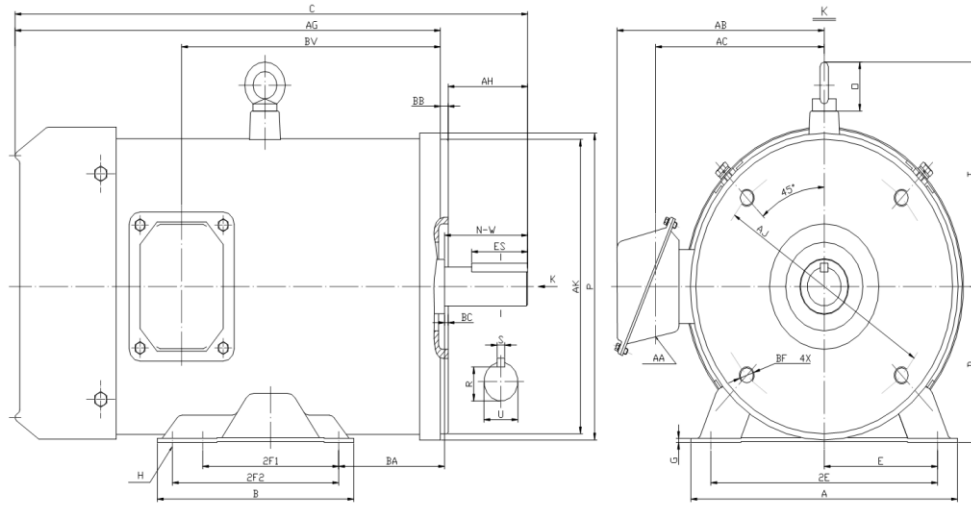
WASHDOWN DUTY MOTOR

NEMA PREMIUM EFFICIENCY

STAINLESS STEEL CONSTRUCTION - C-FLANGE WITH FEET

TOTALLY ENCLOSED FAN COOLED - IP66 CONSTRUCTION

INVERTER DUTY 10:1 CT; 20:1 VT - NEMA MG1 PART 31



**DIMENSIONS**

HP	RPM	Frame	Mounting													
			A	B	C	D	G	H	E	2E	2F1	2F2	P	AK	AJ	AH
3	1200	213TC	9.60	8.10	20.70	5.25	0.16	0.41	4.25	8.50	5.50	7.00	10.08	8.500	7.250	3.12

Mounting					Shaft Extension, Key Set					Conduit Box				Bearings		Mount
AG	BA	BB	BC	BF	U	R	S	ES	N-W	AA	AB	AC	BV	DE	ODE	
17.33	4.25	0.25	0.25	4*1/2-13	1.375	1.201	0.312	2.41	3.38	0.94	7.70	6.20	11.35	6308-2RS	6208-2RS	F1

**BEARING LUBRICATION:** The bearings come lubricated with Mobil Polyrex EM Polyurea Grease.



**PESS213TC3M-6**

**WASHDOWN DUTY MOTOR**  
**NEMA PREMIUM EFFICIENCY**  
**STAINLESS STEEL CONSTRUCTION - C-FLANGE WITH FEET**  
**TOTALLY ENCLOSED FAN COOLED - IP66 CONSTRUCTION**  
**INVERTER DUTY 10:1 CT; 20:1 VT - NEMA MG1 PART 31**

**PERFORMANCE DATA**

HP	RPM	Frame	Voltage	Frequency (Hz)	Full Load S.F.	Insulation Class	NEMA Design	Slip (%)	NEMA Code	Enclosure Type	IP Rating	Max. Ambient
3	1175	213TC	208-230/460	60	1.15	F	B	2.1	K	TEFC	66	40° C

Amps (460V)		Efficiency (%)				Power Factor			Torque (ft-lb)			DE Bearing	ODE Bearing	Connection	Weight (lbs.)
FLA	LRA	100%	75%	50%	Min.	100%	75%	50%	FLT	LRT %	BDT %				
4.3	32.0	87.5	87.0	86.0	85.5	0.74	0.62	0.51	13.2	250	280	6308-2RS	6208-2RS	9 Lead 2Y/Y	160

**NAME PLATE**

												<b>CONNECTION DIAGRAMS</b>  <b>208-230V</b> 									
<b>INVERTER DUTY 20:1 VT; 10:1 CT</b>						<b>WASHDOWN DUTY STAINLESS STEEL MOTORS</b>															
CAT NO:		PESS213TC3M-6				FRAME		213TC		PHASE		3		<b>460V</b> 							
HZ	60	S.F.	1.15	HZ	50	S.F.	1.2	ENCL	TEFC	IP	66										
HP	3	RPM	1175	HP	2	RPM	970	DUTY	CONT	DES	B										
VOLTS		208-230/460				VOLTS		190/380		AMB	40° C		INS							F	
FLA	9.3 - 8.6 / 4.3		FLA				7.2/3.6		DE BEARING				6308-2RS								
CODE	K	P.F.	0.74	CODE	K	P.F.	0.76	ODE BEARING				6208-2RS									
EFF	87.5	MIN	85.5	EFF	85.5	MIN	83	LUB:				Mobil Polyrex EM									
MOTOR WEIGHT		160 LBS		CONNECTION		9 Lead 2Y/Y		SER NO													
Special purpose motor designed for washdown applications and extremely corrosive environments. Hernando, Mississippi												CC 082A									

**APPLICATIONS:**

Applications include washdown applications, food processing, chemical processing, pharmaceuticals, poultry processing, meat processing, dairy applications, bakeries, snack foods, bottling and extremely corrosive environments.