

PESS184TC2M-6

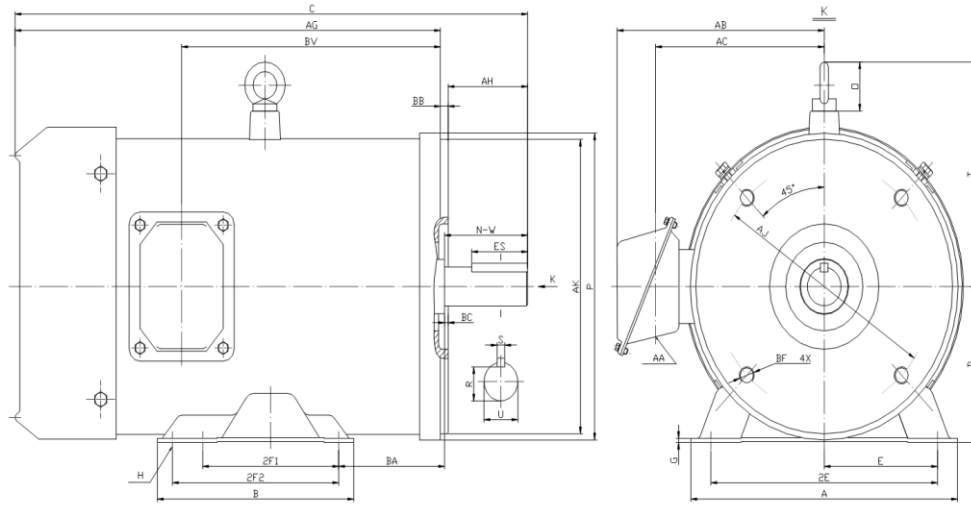
WASHDOWN DUTY MOTOR

NEMA PREMIUM EFFICIENCY

STAINLESS STEEL CONSTRUCTION - C-FLANGE WITH FEET

TOTALLY ENCLOSED FAN COOLED - IP66 CONSTRUCTION

INVERTER DUTY 10:1 CT; 20:1 VT - NEMA MG1 PART 31



DIMENSIONS

HP	RPM	Frame	Mounting													
			A	B	C	D	G	H	E	2E	2F1	2F2	P	AK	AJ	AH
2	1200	184TC	8.80	6.50	17.00	4.50	0.12	0.71*0.47	3.75	7.50	4.50	5.50	8.85	8.500	7.250	2.62

Mounting					Shaft Extension, Key Set					Conduit Box				Bearings		Mount
AG	BA	BB	BC	BF	U	R	S	ES	N-W	AA	AB	AC	BV	DE	ODE	
14.13	3.50	0.25	0.12	4*1/2-13	1.125	0.986	0.250	1.78	2.75	0.94	7.00	5.30	8.60	6308-2RS	6306-2RS	F1

BEARING LUBRICATION: The bearings come lubricated with Mobil Polyrex EM Polyurea Grease.



PESS184TC2M-6

WASHDOWN DUTY MOTOR
NEMA PREMIUM EFFICIENCY
STAINLESS STEEL CONSTRUCTION - C-FLANGE WITH FEET
TOTALLY ENCLOSED FAN COOLED - IP66 CONSTRUCTION
INVERTER DUTY 10:1 CT; 20:1 VT - NEMA MG1 PART 31

PERFORMANCE DATA

HP	RPM	Frame	Voltage	Frequency (Hz)	Full Load S.F.	Insulation Class	NEMA Design	Slip (%)	NEMA Code	Enclosure Type	IP Rating	Max. Ambient
2	1175	184TC	208-230/460	60	1.15	F	B	2.1	L	TEFC	66	40° C

Amps (460V)		Efficiency (%)				Power Factor			Torque (ft-lb)			DE Bearing	ODE Bearing	Connection	Weight (lbs.)
FLA	LRA	100%	75%	50%	Min.	100%	75%	50%	FLT	LRT %	BDT %				
3.1	25.0	86.5	82.0	77.0	84.0	0.71	0.65	0.57	8.8	255	270	6308-2RS	6306-2RS	9 Lead 2Y/Y	95

NAME PLATE

															CONNECTION DIAGRAMS 208-230V 		
INVERTER DUTY 20:1 VT; 10:1 CT										WASHDOWN DUTY STAINLESS STEEL MOTORS							
CAT NO:		PESS184TC2M-6				FRAME		184TC		PHASE		3		460V 			
HZ	60	S.F.	1.15	HZ	50	S.F.	1.2	ENCL	TEFC	IP	66						
HP	2	RPM	1175	HP	1.5	RPM	970	DUTY	CONT	DES	B						
VOLTS		208-230/460				VOLTS		190/380		AMB	40° C		INS	F			
FLA	6.6 - 6.1 / 3.05		FLA		5.8/2.9		DE BEARING		6308-2RS								
CODE	L	P.F.	0.71	CODE	L	P.F.	0.73	ODE BEARING		6306-2RS							
EFF	86.5	MIN	84.0	EFF	84	MIN	81.5	LUB: Mobil Polyrex EM									
MOTOR WEIGHT		95 LBS		CONNECTION		9 Lead 2Y/Y		SER NO									
Special purpose motor designed for washdown applications and extremely corrosive environments. Hernando, Mississippi																CC 082A	

APPLICATIONS:

Applications include washdown applications, food processing, chemical processing, pharmaceuticals, poultry processing, meat processing, dairy applications, bakeries, snack foods, bottling and extremely corrosive environments.