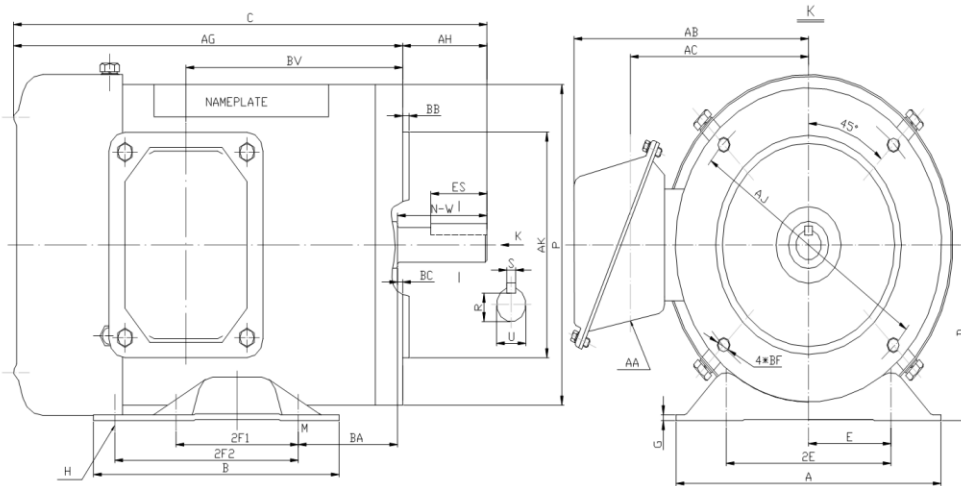


**PESS56C2M-4**

**WASHDOWN DUTY MOTOR**  
**NEMA PREMIUM EFFICIENCY**  
**STAINLESS STEEL CONSTRUCTION - C-FLANGE WITH FEET**  
**TOTALLY ENCLOSED FAN COOLED - IP66 CONSTRUCTION**  
**INVERTER DUTY 10:1 CT; 20:1 VT - NEMA MG1 PART 31**



**DIMENSIONS**

HP	RPM	Frame	Mounting													
			A	B	C	D	G	H	E	2E	2F1	2F2	P	AK	AJ	AH
2	1800	56C	6.50	6.50	13.75	3.50	0.12	1.22*0.34	2.44	4.88	3.00	5.00	6.50	4.500	5.875	2.06

Mounting				Shaft Extension, Key Set						Conduit Box				Bearings		Mount
AG	BA	BB	BC	BF	U	R	S	ES	N-W	AA	AB	AC	BV	DE	ODE	
11.69	2.75	0.16	-0.19	4*3/8-16	0.625	0.517	0.188	1.41	1.88	0.86	5.75	4.25	7.50	6205-2RS	6205-2RS	F1

**BEARING LUBRICATION:** The bearings come lubricated with Mobil Polyrex EM Polyurea Grease.





**PESS56C2M-4**

**WASHDOWN DUTY MOTOR**  
**NEMA PREMIUM EFFICIENCY**  
**STAINLESS STEEL CONSTRUCTION - C-FLANGE WITH FEET**  
**TOTALLY ENCLOSED FAN COOLED - IP66 CONSTRUCTION**  
**INVERTER DUTY 10:1 CT; 20:1 VT - NEMA MG1 PART 31**

**PERFORMANCE DATA**

HP	RPM	Frame	Voltage	Frequency (Hz)	Full Load S.F.	Insulation Class	NEMA Design	Slip (%)	NEMA Code	Enclosure Type	IP Rating	Max. Ambient
2	1750	56C	208-230/460	60	1.15	F	B	2.8	K	TEFC	66	40° C

Amps (460V)		Efficiency (%)				Power Factor			Torque (ft-lb)			DE Bearing	ODE Bearing	Connection	Weight (lbs.)
FLA	LRA	100%	75%	50%	Min.	100%	75%	50%	FLT	LRT %	BDT %				
3.0	25.0	86.5	83.0	80.0	84.0	0.75	0.66	0.52	5.9	285	300	6205-2RS	6205-2RS	9 Lead 2Y/Y	51

**NAME PLATE**

				<b>WASHDOWN DUTY STAINLESS STEEL MOTORS</b>		<b>CONNECTION DIAGRAMS</b>	
<b>INVERTER DUTY 20:1 VT; 10:1 CT</b>				<b>CONNECTION DIAGRAMS</b>			
<b>CAT NO:</b> PESS56C2M-4		<b>FRAME:</b> 56C		<b>PHASE:</b> 3		<b>208-230V</b> 	
<b>HZ:</b> 60	<b>S.F.:</b> 1.15	<b>HZ:</b> 50	<b>S.F.:</b> 1.2	<b>ENCL:</b> TEFC	<b>IP:</b> 66	<b>460V</b> 	
<b>HP:</b> 2	<b>RPM:</b> 1750	<b>HP:</b> 1.5	<b>RPM:</b> 1450	<b>DUTY:</b> CONT	<b>DES:</b> B		
<b>VOLTS:</b> 208-230/460		<b>VOLTS:</b> 190/380		<b>AMB:</b> 40° C	<b>INS:</b> F		
<b>FLA:</b> 6.2 - 6 / 3	<b>FLA:</b> 5.2/2.6		<b>DE BEARING:</b> 6205-2RS				
<b>CODE:</b> K	<b>P.F.:</b> 0.75	<b>CODE:</b> K	<b>P.F.:</b> 0.78	<b>ODE BEARING:</b> 6205-2RS			
<b>EFF:</b> 86.5	<b>MIN:</b> 84.0	<b>EFF:</b> 84	<b>MIN:</b> 81.5	<b>LUB:</b> Mobil Polyrex EM			
<b>MOTOR WEIGHT:</b> 51 LBS		<b>CONNECTION:</b> 9 Lead 2Y/Y		<b>SER NO</b>			
Special purpose motor designed for washdown applications and extremely corrosive environments. Hernando, Mississippi							CC 082A

**APPLICATIONS:**

Applications include washdown applications, food processing, chemical processing, pharmaceuticals, poultry processing, meat processing, dairy applications, bakeries, snack foods, bottling and extremely corrosive environments.