

PES145TC2M-2

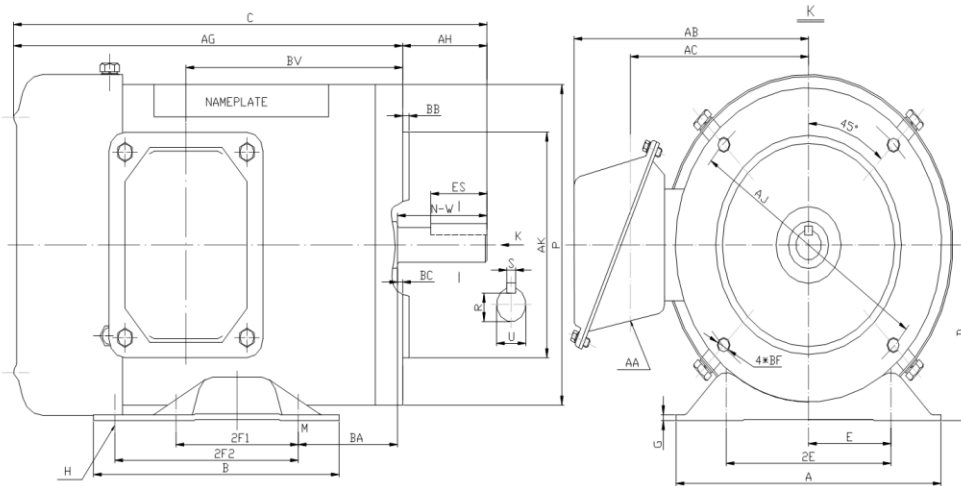
WASHDOWN DUTY MOTOR

NEMA PREMIUM EFFICIENCY

STAINLESS STEEL CONSTRUCTION - C-FLANGE WITH FEET

TOTALLY ENCLOSED FAN COOLED - IP66 CONSTRUCTION

INVERTER DUTY 10:1 CT; 20:1 VT - NEMA MG1 PART 31



DIMENSIONS

HP	RPM	Frame	Mounting													
			A	B	C	D	G	H	E	2E	2F1	2F2	P	AK	AJ	AH
2	3600	145TC	6.50	6.50	13.81	3.50	0.12	1.22*0.34	2.75	5.50	3.00	5.00	6.50	4.500	5.875	2.12

Mounting				Shaft Extension, Key Set					Conduit Box				Bearings		Mount	
AG	BA	BB	BC	BF	U	R	S	ES	N-W	AA	AB	AC	BV	DE		ODE
11.69	2.75	0.16	0.12	4*3/8-16	0.875	0.771	0.188	1.41	2.25	0.86	5.75	4.25	7.50	6205-2RS	6205-2RS	F1

BEARING LUBRICATION: The bearings come lubricated with Mobil Polyrex EM Polyurea Grease.





PES145TC2M-2

WASHDOWN DUTY MOTOR
NEMA PREMIUM EFFICIENCY
STAINLESS STEEL CONSTRUCTION - C-FLANGE WITH FEET
TOTALLY ENCLOSED FAN COOLED - IP66 CONSTRUCTION
INVERTER DUTY 10:1 CT; 20:1 VT - NEMA MG1 PART 31

PERFORMANCE DATA

HP	RPM	Frame	Voltage	Frequency (Hz)	Full Load S.F.	Insulation Class	NEMA Design	Slip (%)	NEMA Code	Enclosure Type	IP Rating	Max. Ambient
2	3480	145TC	208-230/460	60	1.15	F	B	3.3	K	TEFC	66	40° C

Amps (460V)		Efficiency (%)				Power Factor			Torque (ft-lb)			DE Bearing	ODE Bearing	Connection	Weight (lbs.)
FLA	LRA	100%	75%	50%	Min.	100%	75%	50%	FLT	LRT %	BDT %				
2.4	25.0	85.5	79.0	75.0	82.5	0.90	0.85	0.78	2.9	285	300	6205-2RS	6205-2RS	9 Lead 2Y/Y	46

NAME PLATE

										CONNECTION DIAGRAMS 208-230V 			
INVERTER DUTY 20:1 VT; 10:1 CT													
WASHDOWN DUTY STAINLESS STEEL MOTORS										460V 			
CAT NO: PES145TC2M-2			FRAME 145TC			PHASE 3							
HZ 60	S.F. 1.15	HZ 50	S.F. 1.2	ENCL TEFC	IP 66								
HP 2	RPM 3480	HP 1.5	RPM 2870	DUTY CONT	DES B								
VOLTS 208-230/460			VOLTS 190/380			AMB 40° C	INS F						
FLA 4.9 - 4.8 / 2.4	FLA 4.4/2.2			DE BEARING 6205-2RS									
CODE K	P.F. 0.90	CODE K	P.F. 0.91	ODE BEARING 6205-2RS									
EFF 85.5	MIN 82.5	EFF 82.5	MIN 79.5	LUB: Mobil Polyrex EM									
MOTOR WEIGHT 46 LBS		CONNECTION 9 Lead 2Y/Y			SER NO								
Special purpose motor designed for washdown applications and extremely corrosive environments. ISO9001 CERTIFIED CE SP [®] C US CC 082A Hernando, Mississippi													

APPLICATIONS:

Applications include washdown applications, food processing, chemical processing, pharmaceuticals, poultry processing, meat processing, dairy applications, bakeries, snack foods, bottling and extremely corrosive environments.