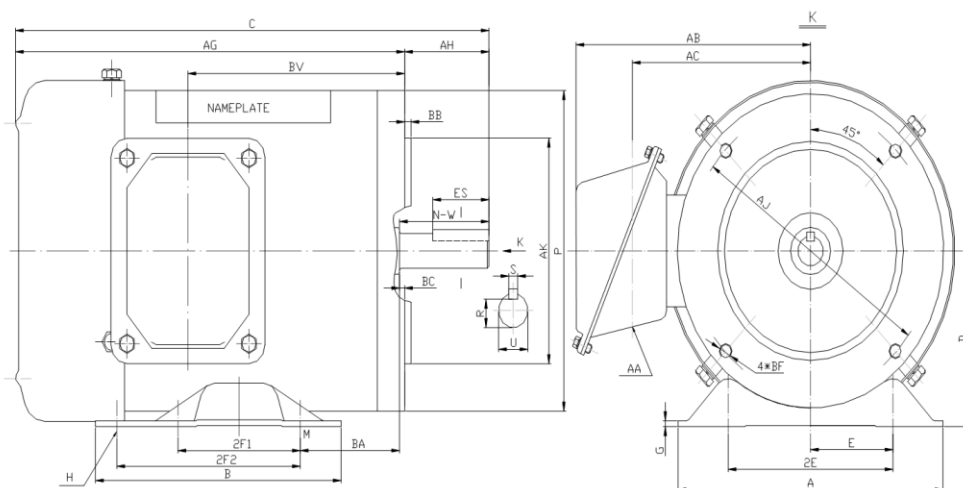


PES56C2M-2

WASHDOWN DUTY MOTOR
NEMA PREMIUM EFFICIENCY
STAINLESS STEEL CONSTRUCTION - C-FLANGE WITH FEET
TOTALLY ENCLOSED FAN COOLED - IP66 CONSTRUCTION
INVERTER DUTY 10:1 CT; 20:1 VT - NEMA MG1 PART 31



DIMENSIONS

HP	RPM	Frame	Mounting													
			A	B	C	D	G	H	E	2E	2F1	2F2	P	AK	AJ	AH
2	3600	56C	6.50	6.50	13.75	3.50	0.12	1.22*0.34	2.44	4.88	3.00	5.00	6.50	4.500	5.875	2.06

Mounting			Shaft Extension, Key Set					Conduit Box				Bearings		Mount		
AG	BA	BB	BC	BF	U	R	S	ES	N-W	AA	AB	AC	BV		DE	ODE
11.69	2.75	0.16	-0.19	4*3/8-16	0.625	0.517	0.188	1.41	1.88	0.86	5.75	4.25	7.50	6205-2RS	6205-2RS	F1

BEARING LUBRICATION: The bearings come lubricated with Mobil Polyrex EM Polyurea Grease.





PESS56C2M-2

WASHDOWN DUTY MOTOR
NEMA PREMIUM EFFICIENCY
STAINLESS STEEL CONSTRUCTION - C-FLANGE WITH FEET
TOTALLY ENCLOSED FAN COOLED - IP66 CONSTRUCTION
INVERTER DUTY 10:1 CT; 20:1 VT - NEMA MG1 PART 31

PERFORMANCE DATA

HP	RPM	Frame	Voltage	Frequency (Hz)	Full Load S.F.	Insulation Class	NEMA Design	Slip (%)	NEMA Code	Enclosure Type	IP Rating	Max. Ambient
2	3480	56C	208-230/460	60	1.15	F	B	3.3	K	TEFC	66	40° C

Amps (460V)		Efficiency (%)				Power Factor			Torque (ft-lb)			DE Bearing	ODE Bearing	Connection	Weight (lbs.)
FLA	LRA	100%	75%	50%	Min.	100%	75%	50%	FLT	LRT %	BDT %				
2.4	25.0	85.5	79.0	75.0	82.5	0.90	0.85	0.78	2.9	285	300	6205-2RS	6205-2RS	9 Lead 2Y/Y	45

NAME PLATE

										CONNECTION DIAGRAMS 208-230V 								
INVERTER DUTY 20:1 VT; 10:1 CT																		
WASHDOWN DUTY STAINLESS STEEL MOTORS										460V 								
CAT NO:		PESS56C2M-2			FRAME		56C		PHASE				3					
HZ		60		S.F.		1.15		HZ					50					
S.F.		1.15		HZ		50		S.F.					1.2					
ENCL		TEFC		IP		66		DUTY					CONT					
DES		B		AMB		40° C		INS					F					
VOLTS		208-230/460			VOLTS		190/380		DE BEARING				6205-2RS					
FLA		4.9 - 4.8 / 2.4			FLA		4.4/2.2		ODE BEARING				6205-2RS					
CODE		K		P.F.		0.90		CODE					K		P.F.		0.91	
ODE BEARING		6205-2RS				LUB:		Mobil Polyrex EM										
EFF		85.5		MIN		82.5		EFF		82.5		MIN		79.5				
MOTOR WEIGHT		45		LBS		CONNECTION		9 Lead 2Y/Y		SER NO								
Special purpose motor designed for washdown applications and extremely corrosive environments. Hernando, Mississippi										CC 082A								

APPLICATIONS:

Applications include washdown applications, food processing, chemical processing, pharmaceuticals, poultry processing, meat processing, dairy applications, bakeries, snack foods, bottling and extremely corrosive environments.