

PES145TC1.5M-4

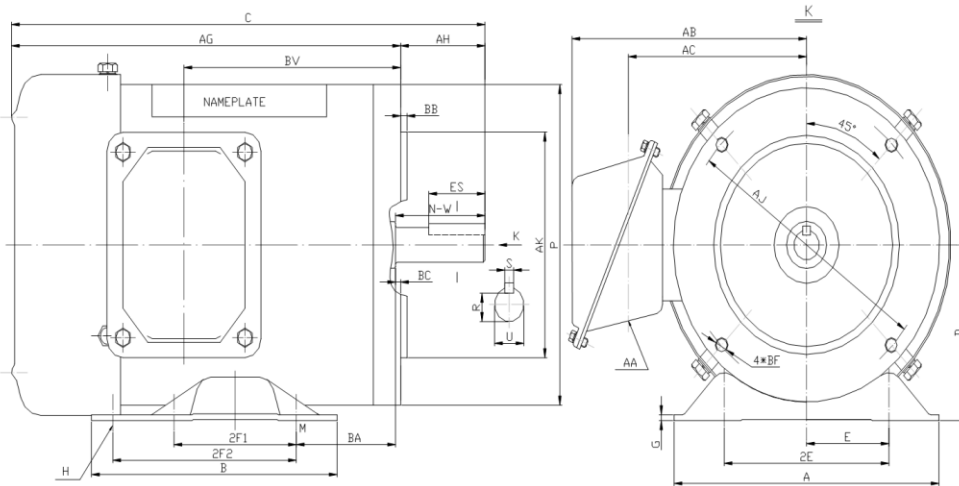
WASHDOWN DUTY MOTOR

NEMA PREMIUM EFFICIENCY

STAINLESS STEEL CONSTRUCTION - C-FLANGE WITH FEET

TOTALLY ENCLOSED FAN COOLED - IP66 CONSTRUCTION

INVERTER DUTY 10:1 CT; 20:1 VT - NEMA MG1 PART 31



DIMENSIONS

HP	RPM	Frame	Mounting													
			A	B	C	D	G	H	E	2E	2F1	2F2	P	AK	AJ	AH
1.5	1800	145TC	6.50	6.50	16.63	3.50	0.12	1.22*0.34	2.75	5.50	3.00	5.00	6.50	4.500	5.875	2.12

Mounting				Shaft Extension, Key Set					Conduit Box				Bearings		Mount	
AG	BA	BB	BC	BF	U	R	S	ES	N-W	AA	AB	AC	BV	DE		ODE
10.51	2.75	0.16	0.12	4*3/8-16	0.875	0.771	0.188	1.41	2.25	0.86	5.75	4.25	6.30	6205-2RS	6205-2RS	F1

BEARING LUBRICATION: The bearings come lubricated with Mobil Polyrex EM Polyurea Grease.





PESS145TC1.5M-4

WASHDOWN DUTY MOTOR
NEMA PREMIUM EFFICIENCY
STAINLESS STEEL CONSTRUCTION - C-FLANGE WITH FEET
TOTALLY ENCLOSED FAN COOLED - IP66 CONSTRUCTION
INVERTER DUTY 10:1 CT; 20:1 VT - NEMA MG1 PART 31

PERFORMANCE DATA

HP	RPM	Frame	Voltage	Frequency (Hz)	Full Load S.F.	Insulation Class	NEMA Design	Slip (%)	NEMA Code	Enclosure Type	IP Rating	Max. Ambient
1.5	1750	145TC	208-230/460	60	1.15	F	B	2.8	K	TEFC	66	40° C

Amps (460V)		Efficiency (%)				Power Factor			Torque (ft-lb)			DE Bearing	ODE Bearing	Connection	Weight (lbs.)
FLA	LRA	100%	75%	50%	Min.	100%	75%	50%	FLT	LRT %	BDT %				
2.3	20.0	86.5	83.0	79.0	84.0	0.72	0.61	0.50	4.4	285	300	6205-2RS	6205-2RS	9 Lead 2Y/Y	43

NAME PLATE

				WASHDOWN DUTY STAINLESS STEEL MOTORS		CONNECTION DIAGRAMS	
INVERTER DUTY 20:1 VT; 10:1 CT							
CAT NO: PESS145TC1.5M-4		FRAME: 145TC		PHASE: 3		208-230V 	
HZ: 60	S.F.: 1.15	HZ: 50	S.F.: 1.2	ENCL: TEFC	IP: 66	460V 	
HP: 1.5	RPM: 1750	HP: 1	RPM: 1450	DUTY: CONT	DES: B		
VOLTS: 208-230/460		VOLTS: 190/380		AMB: 40° C	INS: F		
FLA: 5 - 4.6 / 2.3	FLA: 3.2/1.6		DE BEARING: 6205-2RS				
CODE: K	P.F.: 0.72	CODE: K	P.F.: 0.75	ODE BEARING: 6205-2RS			
EFF: 86.5	MIN: 84.0	EFF: 84	MIN: 81.5	LUB: Mobil Polyrex EM			
MOTOR WEIGHT: 43 LBS		CONNECTION: 9 Lead 2Y/Y		SER NO:			
Special purpose motor designed for washdown applications and extremely corrosive environments. Hernando, Mississippi					CC 082A		

APPLICATIONS:

Applications include washdown applications, food processing, chemical processing, pharmaceuticals, poultry processing, meat processing, dairy applications, bakeries, snack foods, bottling and extremely corrosive environments.