

PES56C1.5M-2

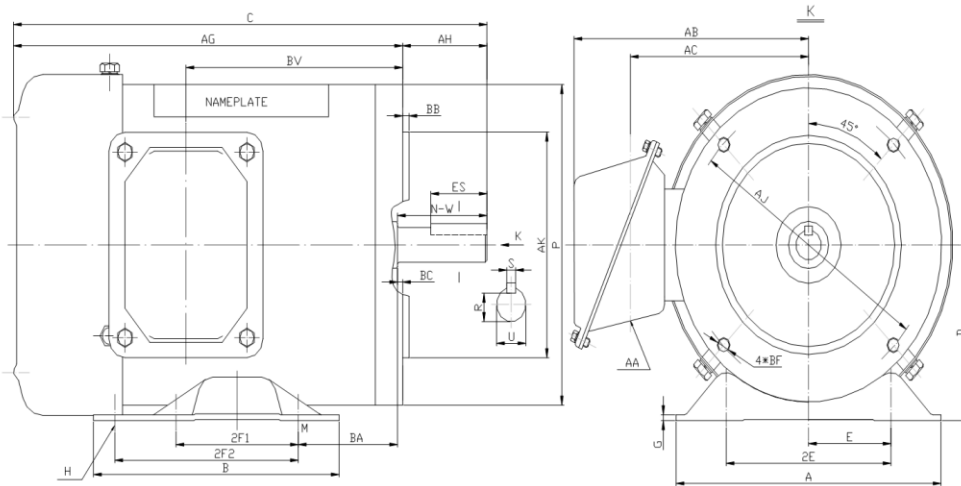
WASHDOWN DUTY MOTOR

NEMA PREMIUM EFFICIENCY

STAINLESS STEEL CONSTRUCTION - C-FLANGE WITH FEET

TOTALLY ENCLOSED FAN COOLED - IP66 CONSTRUCTION

INVERTER DUTY 10:1 CT; 20:1 VT - NEMA MG1 PART 31



DIMENSIONS

HP	RPM	Frame	Mounting													
			A	B	C	D	G	H	E	2E	2F1	2F2	P	AK	AJ	AH
1.5	3600	56C	6.50	6.50	12.57	3.50	0.12	1.22*0.34	2.44	4.88	3.00	5.00	6.50	4.500	5.875	2.06

Mounting					Shaft Extension, Key Set					Conduit Box				Bearings		Mount
AG	BA	BB	BC	BF	U	R	S	ES	N-W	AA	AB	AC	BV	DE	ODE	
10.51	2.75	0.16	-0.19	4*3/8-16	0.625	0.517	0.188	1.41	1.88	0.86	5.75	4.25	6.30	6205-2RS	6205-2RS	F1

BEARING LUBRICATION: The bearings come lubricated with Mobil Polyrex EM Polyurea Grease.





PESS56C1.5M-2

WASHDOWN DUTY MOTOR
NEMA PREMIUM EFFICIENCY
STAINLESS STEEL CONSTRUCTION - C-FLANGE WITH FEET
TOTALLY ENCLOSED FAN COOLED - IP66 CONSTRUCTION
INVERTER DUTY 10:1 CT; 20:1 VT - NEMA MG1 PART 31

PERFORMANCE DATA

HP	RPM	Frame	Voltage	Frequency (Hz)	Full Load S.F.	Insulation Class	NEMA Design	Slip (%)	NEMA Code	Enclosure Type	IP Rating	Max. Ambient
1.5	3480	56C	208-230/460	60	1.15	F	B	3.3	K	TEFC	66	40° C

Amps (460V)		Efficiency (%)				Power Factor			Torque (ft-lb)			DE Bearing	ODE Bearing	Connection	Weight (lbs.)
FLA	LRA	100%	75%	50%	Min.	100%	75%	50%	FLT	LRT %	BDT %				
2.0	20.0	84.0	78.0	74.0	81.5	0.86	0.82	0.73	2.3	285	300	6205-2RS	6205-2RS	9 Lead 2Y/Y	39

NAME PLATE

													CONNECTION DIAGRAMS 208-230V 		
INVERTER DUTY 20:1 VT; 10:1 CT										WASHDOWN DUTY STAINLESS STEEL MOTORS					
CAT NO: PESS56C1.5M-2				FRAME: 56C				PHASE: 3				460V 			
HZ: 60	S.F.: 1.15	HZ: 50	S.F.: 1.2	ENCL: TEFC	IP: 66										
HP: 1.5	RPM: 3480	HP: 1	RPM: 2865	DUTY: CONT	DES: B										
VOLTS: 208-230/460				VOLTS: 190/380				AMB: 40° C				INS: F			
FLA: 4.2 - 4 / 2				FLA: 3.3/1.65				DE BEARING: 6205-2RS							
CODE: K		P.F.: 0.86		CODE: K		P.F.: 0.88		ODE BEARING: 6205-2RS							
EFF: 84.0		MIN: 81.5		EFF: 81.5		MIN: 78.5		LUB: Mobil Polyrex EM							
MOTOR WEIGHT: 39 LBS		CONNECTION: 9 Lead 2Y/Y				SER NO:									
Special purpose motor designed for washdown applications and extremely corrosive environments. Hernando, Mississippi										CC 082A					

APPLICATIONS:

Applications include washdown applications, food processing, chemical processing, pharmaceuticals, poultry processing, meat processing, dairy applications, bakeries, snack foods, bottling and extremely corrosive environments.