

**PES145TC1M-6**

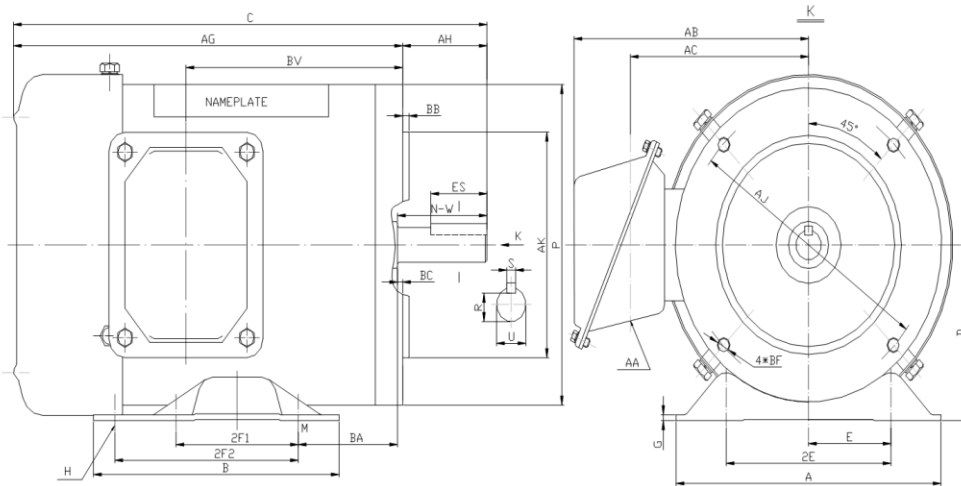
**WASHDOWN DUTY MOTOR**

**NEMA PREMIUM EFFICIENCY**

**STAINLESS STEEL CONSTRUCTION - C-FLANGE WITH FEET**

**TOTALLY ENCLOSED FAN COOLED - IP66 CONSTRUCTION**

**INVERTER DUTY 10:1 CT; 20:1 VT - NEMA MG1 PART 31**



**DIMENSIONS**

HP	RPM	Frame	Mounting													
			A	B	C	D	G	H	E	2E	2F1	2F2	P	AK	AJ	AH
1	1200	145TC	6.50	6.50	16.63	3.50	0.12	1.22*0.34	2.75	5.50	3.00	5.00	6.50	4.500	5.875	2.12

Mounting			Shaft Extension, Key Set					Conduit Box				Bearings		Mount		
AG	BA	BB	BC	BF	U	R	S	ES	N-W	AA	AB	AC	BV		DE	ODE
10.51	2.75	0.16	0.12	4*3/8-16	0.875	0.771	0.188	1.41	2.25	0.86	5.75	4.25	6.30	6205-2RS	6205-2RS	F1

**BEARING LUBRICATION:** The bearings come lubricated with Mobil Polyrex EM Polyurea Grease.





**PESS145TC1M-6**

**WASHDOWN DUTY MOTOR**  
**NEMA PREMIUM EFFICIENCY**  
**STAINLESS STEEL CONSTRUCTION - C-FLANGE WITH FEET**  
**TOTALLY ENCLOSED FAN COOLED - IP66 CONSTRUCTION**  
**INVERTER DUTY 10:1 CT; 20:1 VT - NEMA MG1 PART 31**

**PERFORMANCE DATA**

HP	RPM	Frame	Voltage	Frequency (Hz)	Full Load S.F.	Insulation Class	NEMA Design	Slip (%)	NEMA Code	Enclosure Type	IP Rating	Max. Ambient
1	1165	145TC	208-230/460	60	1.15	F	B	2.9	K	TEFC	66	40° C

Amps (460V)		Efficiency (%)				Power Factor			Torque (ft-lb)			DE Bearing	ODE Bearing	Connection	Weight (lbs.)
FLA	LRA	100%	75%	50%	Min.	100%	75%	50%	FLT	LRT %	BDT %				
1.9	15.0	82.5	76.0	72.0	80.0	0.61	0.59	0.50	4.4	255	270	6205-2RS	6205-2RS	9 Lead 2Y/Y	43

**NAME PLATE**

										<b>CONNECTION DIAGRAMS</b>  <b>208-230V</b> 		
<b>INVERTER DUTY 20:1 VT; 10:1 CT</b>												
<b>WASHDOWN DUTY STAINLESS STEEL MOTORS</b>			<b>CAT NO:</b> PESS145TC1M-6			<b>FRAME:</b> 145TC			<b>PHASE:</b> 3			
<b>HZ:</b> 60		<b>S.F.:</b> 1.15		<b>HZ:</b> 50		<b>S.F.:</b> 1.2		<b>ENCL:</b> TEFC		<b>IP:</b> 66		
<b>HP:</b> 1		<b>RPM:</b> 1165		<b>HP:</b> 3/4		<b>RPM:</b> 965		<b>DUTY:</b> CONT		<b>DES:</b> B		
<b>VOLTS:</b> 208-230/460			<b>VOLTS:</b> 190/380			<b>AMB:</b> 40° C			<b>INS:</b> F			
<b>FLA:</b> 4 - 3.8 / 1.9			<b>FLA:</b> 3.3/1.65			<b>DE BEARING:</b> 6205-2RS						
<b>CODE:</b> K		<b>P.F.:</b> 0.61		<b>CODE:</b> K		<b>P.F.:</b> 0.63		<b>ODE BEARING:</b> 6205-2RS				
<b>EFF:</b> 82.5		<b>MIN:</b> 80.0		<b>EFF:</b> 80		<b>MIN:</b> 77		<b>LUB:</b> Mobil Polyrex EM				
<b>MOTOR WEIGHT:</b> 43 LBS			<b>CONNECTION:</b> 9 Lead 2Y/Y			<b>SER NO:</b>						
Special purpose motor designed for washdown applications and extremely corrosive environments. Hernando, Mississippi										<b>CC 082A</b>		

**APPLICATIONS:**

Applications include washdown applications, food processing, chemical processing, pharmaceuticals, poultry processing, meat processing, dairy applications, bakeries, snack foods, bottling and extremely corrosive environments.