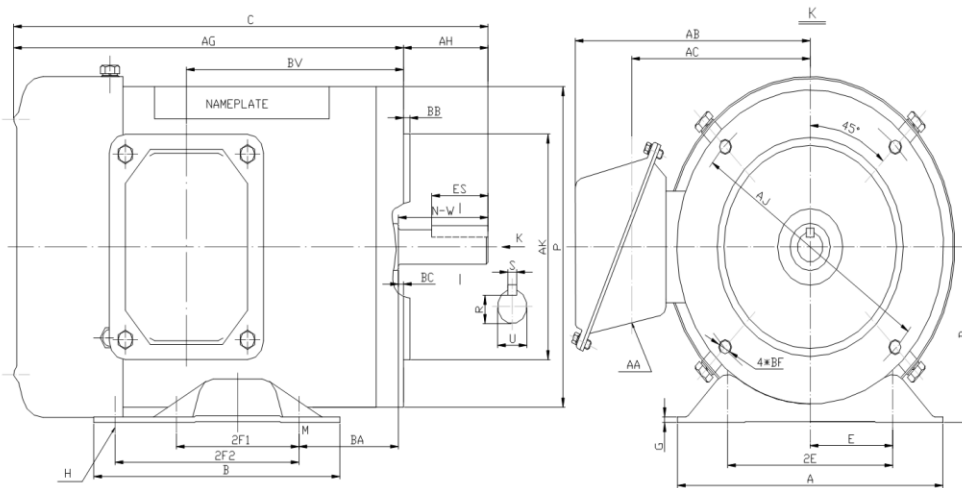




SS56C3/4M-2

WASHDOWN DUTY MOTOR
HIGH EFFICIENCY / EISA COMPLIANT
STAINLESS STEEL CONSTRUCTION - C-FLANGE WITH FEET
TOTALLY ENCLOSED FAN COOLED - IP66 CONSTRUCTION
INVERTER DUTY 10:1 CT; 20:1 VT - NEMA MG1 PART 31



DIMENSIONS																	
HP	RPM	Frame	Mounting														
			A	B	C	D	G	H	E	2E	2F1	2F2	P	AK	AJ	AH	
3/4	3600	56C	6.50	5.00	12.57	3.50	0.12	1.22*0.34	2.44	4.88	3.00	0.00	6.50	4.500	5.875	2.06	

Mounting			Shaft Extension, Key Set					Conduit Box				Bearings		Mount		
AG	BA	BB	BC	BF	U	R	S	ES	N-W	AA	AB	AC	BV		DE	ODE
10.51	2.75	0.16	-0.19	4*3/8-16	0.625	0.517	0.188	1.41	1.88	0.86	5.75	4.25	6.30	6205-2RS	6205-2RS	F1

BEARING LUBRICATION: The bearings come lubricated with Mobil Polyrex EM Polyurea Grease.





SS56C3/4M-2

WASHDOWN DUTY MOTOR
HIGH EFFICIENCY / EISA COMPLIANT
STAINLESS STEEL CONSTRUCTION - C-FLANGE WITH FEET
TOTALLY ENCLOSED FAN COOLED - IP66 CONSTRUCTION
INVERTER DUTY 10:1 CT; 20:1 VT - NEMA MG1 PART 31

PERFORMANCE DATA

HP	RPM	Frame	Voltage	Frequency (Hz)	Full Load S.F.	Insulation Class	NEMA Design	Slip (%)	NEMA Code	Enclosure Type	IP Rating	Max. Ambient
3/4	3500	56C	208-230/460	60	1.15	F	B	2.8	K	TEFC	66	40° C

Amps (460V)		Efficiency (%)				Power Factor			Torque (ft-lb)			DE Bearing	ODE Bearing	Connection	Weight (lbs.)
FLA	LRA	100%	75%	50%	Min.	100%	75%	50%	FLT	LRT %	BDT %	6205-2RS	6205-2RS	9 Lead 2Y/Y	33
1.1	12.5	80.0	77.0	70.0	77.0	0.90	0.81	0.72	1.1	285	300				

NAME PLATE

		WASHDOWN DUTY STAINLESS STEEL MOTOR									
INVERTER DUTY 20:1 VT; 10:1 CT				HIGH EFFICIENCY EISA COMPLIANT				CONNECTION DIAGRAMS			
CAT NO: SS56C3/4M-2		FRAME 56C		PHASE 3							
HZ 60	S.F. 1.15	HZ 50	S.F. 1.2	ENCL TEFC	IP 66						
HP 3/4	RPM 3500	HP 1/2	RPM 2880	DUTY CONT	DES B						
VOLTS 208-230/460	VOLTS 190/380		AMB 40° C	INS F							
FLA 2.3 - 2.2 / 1.1	FLA 1.8/0.9		DE BEARING 6205-2RS		ODE BEARING 6205-2RS						
CODE K	P.F. 0.90	CODE K	P.F. 0.91	LUB: Mobil Polyrex EM							
EFF 80.0	MIN 77.0	EFF 77	MIN 74	SER NO							
MOTOR WEIGHT 33 LBS		CONNECTION 9 Lead 2Y/Y									
Special purpose motor designed for washdown applications and extremely corrosive environments. Hernando, Mississippi										CC 082A	

APPLICATIONS:

Applications include washdown applications, food processing, chemical processing, pharmaceuticals, poultry processing, meat processing, dairy applications, bakeries, snack foods, bottling and extremely corrosive environments.