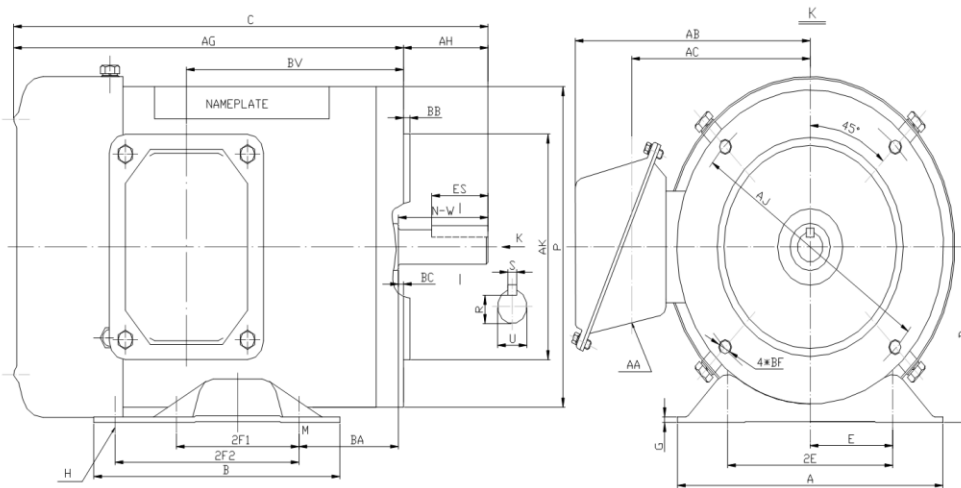


**SS56C1/3M-2**

**WASHDOWN DUTY MOTOR**  
**HIGH EFFICIENCY / EISA COMPLIANT**  
**STAINLESS STEEL CONSTRUCTION - C-FLANGE WITH FEET**  
**TOTALLY ENCLOSED FAN COOLED - IP66 CONSTRUCTION**  
**INVERTER DUTY 10:1 CT; 20:1 VT - NEMA MG1 PART 31**



**DIMENSIONS**

HP	RPM	Frame	Mounting													
			A	B	C	D	G	H	E	2E	2F1	2F2	P	AK	AJ	AH
1/3	3600	56C	6.50	5.00	11.59	3.50	0.12	1.22*0.34	2.44	4.88	3.00	0.00	6.50	4.500	5.875	2.06

Mounting				Shaft Extension, Key Set						Conduit Box				Bearings		Mount
AG	BA	BB	BC	BF	U	R	S	ES	N-W	AA	AB	AC	BV	DE	ODE	
9.53	2.75	0.16	-0.19	4*3/8-16	0.625	0.517	0.188	1.41	1.88	0.86	5.75	4.25	5.30	6205-2RS	6205-2RS	F1

**BEARING LUBRICATION:** The bearings come lubricated with Mobil Polyrex EM Polyurea Grease.





## SS56C1/3M-2

**WASHDOWN DUTY MOTOR**  
**HIGH EFFICIENCY / EISA COMPLIANT**  
**STAINLESS STEEL CONSTRUCTION - C-FLANGE WITH FEET**  
**TOTALLY ENCLOSED FAN COOLED - IP66 CONSTRUCTION**  
**INVERTER DUTY 10:1 CT; 20:1 VT - NEMA MG1 PART 31**

### PERFORMANCE DATA

HP	RPM	Frame	Voltage	Frequency (Hz)	Full Load S.F.	Insulation Class	NEMA Design	Slip (%)	NEMA Code	Enclosure Type	IP Rating	Max. Ambient
1/3	3500	56C	208-230/460	60	1.15	F	B	2.8	K	TEFC	66	40° C

Amps (460V)		Efficiency (%)				Power Factor			Torque (ft-lb)			DE Bearing	ODE Bearing	Connection	Weight (lbs.)
FLA	LRA	100%	75%	50%	Min.	100%	75%	50%	FLT	LRT %	BDT %				
0.6	8.0	74.0	64.0	59.0	71.0	0.85	0.72	0.62	0.5	285	300	6205-2RS	6205-2RS	9 Lead 2Y/Y	26

### NAME PLATE

		<b>WASHDOWN DUTY STAINLESS STEEL MOTOR</b>				<b>INVERTER DUTY 20:1 VT; 10:1 CT</b>		<b>HIGH EFFICIENCY EISA COMPLIANT</b>		<b>CONNECTION DIAGRAMS</b>	
CAT NO: SS56C1/3M-2		FRAME 56C		PHASE 3							<b>208-230V</b> 
HZ 60	S.F. 1.15	HZ 50	S.F. 1.2	ENCL TEFC	IP 66						
HP 1/3	RPM 3500	HP 1/4	RPM 2880	DUTY CONT	DES B						
VOLTS 208-230/460	VOLTS 190/380		AMB 40° C		INS F						
FLA 1.2 - 1.1 / 0.55	FLA 1.1/0.55		DE BEARING 6205-2RS								
CODE K	P.F. 0.85	CODE K	P.F. 0.87	ODE BEARING 6205-2RS							
EFF 74.0	MIN 71.0	EFF 71.5	MIN 69	LUB: Mobil Polyrex EM							
MOTOR WEIGHT 26 LBS	CONNECTION 9 Lead 2Y/Y		SER NO								
Special purpose motor designed for washdown applications and extremely corrosive environments. Hernando, Mississippi								CC 082A		<b>460V</b> 	

### APPLICATIONS:

Applications include washdown applications, food processing, chemical processing, pharmaceuticals, poultry processing, meat processing, dairy applications, bakeries, snack foods, bottling and extremely corrosive environments.