

V2-400S4-W500824A-EHT

VERTICAL HOLLOW SHAFT MOTOR

NEMA PREMIUM EFFICIENCY

INVERTER DUTY 20:1 VT

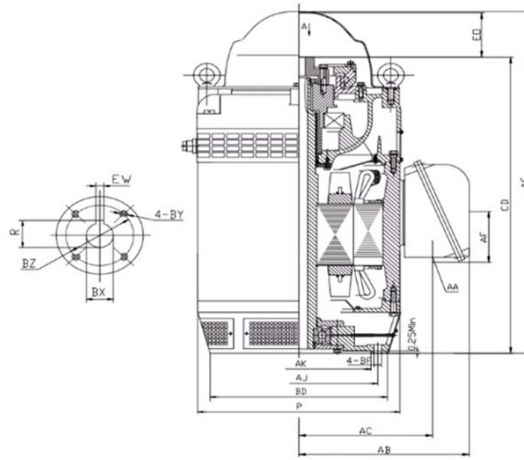
INCLUDES INSULATED BEARING MOUNT - 40 HP AND ABOVE

EXTRA HIGH THRUST DESIGN

THREE PHASE, OPEN DRIP PROOF (WP1) ENCLOSURE

NON-REVERSE BALL TYPE RATCHET

COUPLING INCLUDED



DIMENSIONS																
HP	RPM	Frame	MOUNTING DIMENSIONS													
			BD	AJ	AK	BF	BX	BZ	EW	R	BY	CD	E0 >	AC	AA	AF
400	1780	5008P	24.50	14.750	13.50	0.69	1.938	2.50	0.50	2.160	1/4-20	53.88	8.10	22.24	3" NPT	7.87

OVERALL DIMENSIONS			BEARINGS	
P	AB	AG	UPPER	BOTTOM
28.98	27.38	61.88	7236B/DT	6322

COUPLING: Motor comes with a 1.94 coupling. You may select a different size coupling at no extra charge.

BEARING LUBRICATION: The bottom bearing comes lubricated with Mobil Polyrex EM Polyurea Grease.

OIL RESERVOIR: Motor is shipped without oil. The oil capacity is 0 quarts.





V2-400S4-W500824A-EHT

VERTICAL HOLLOW SHAFT MOTOR
NEMA PREMIUM EFFICIENCY
INVERTER DUTY 20:1 VT
INCLUDES INSULATED BEARING MOUNT - 40 HP AND ABOVE
EXTRA HIGH THRUST DESIGN
THREE PHASE, OPEN DRIP PROOF (WP1) ENCLOSURE
NON-REVERSE BALL TYPE RATCHET

PERFORMANCE DATA

HP	RPM	Frame	Voltage	Frequency (Hz)	Full Load S.F.	Insulation Class	NEMA Design	Slip (%)	NEMA Code	Enclosure Type	IP Rating	Max. Ambient	Rating CONT
400	1790	5008P	460	60	1.15	F	B	0.6	G	WP1	23	40° C	S1

Amps (460V)		Efficiency (%)				Power Factor			Torque (ft-lb)			Down Thrust	Angular Contact Bearing	Radial Ball Bearing	Connection	Weight (lbs.)
FLA	LRA	100%	75%	50%	Min.	100%	75%	50%	FLT	LRT %	BDT %	24000	UPPER	BOTTOM	6 Lead Δ	3793
437.0	2840	95.8	95.8	95.2	95.0	0.90	0.88	0.86	1168	164	220		7236B/DT	6322		

NAME PLATE

VERTICAL HOLLOW SHAFT ELECTRIC MOTOR INVERTER DUTY 20:1 VT EXTRA HIGH THRUST DESIGN				CONNECTION DIAGRAMS				
MODEL	V2-400S4-W500824A-EHT	PHASE	3	Hz	60	Across The Line 		
HP	400	FRAME	5008P	VOLTS	460			
DESIGN	B	CODE	G	AMPS	437			
NOM EFF.	95.8	P.F.	0.90	INSULATION CLASS	F			
RATING CONT	S1	S.F.	1.15	MAX AMB.	40° C	WEIGHT	3793 LBS.	PWS Start
DOWN THRUST	24000	ENCLOSURE TYPE	WP1					
UPPER BEARING	7236B/DT	(X 2) EHT		BOTTOM BEARING	6322	PWS Run 		
OIL CAP.	UPPER BEARING	0	QTS	LUBRICATION	MOBILE POLYREX EM			
NON-REVERSE RATCHET - BALL TYPE		SERIAL NO.						
Specifically designed for use on deep well turbine pump applications. Hernando, Mississippi								

APPLICATIONS:

Specifically designed for use on deep well turbine pump applications. The coupling is equipped with a non-reverse ratchet, which prevents motor rotation from backspin at shutdown. These motors are built to NEMA standards and have special bearing arrangements to carry heavy thrust loads.