

**V2-10D4-W21510A**

**VERTICAL HOLLOW SHAFT MOTOR**

**NEMA PREMIUM EFFICIENCY**

**INVERTER DUTY 20:1 VT**

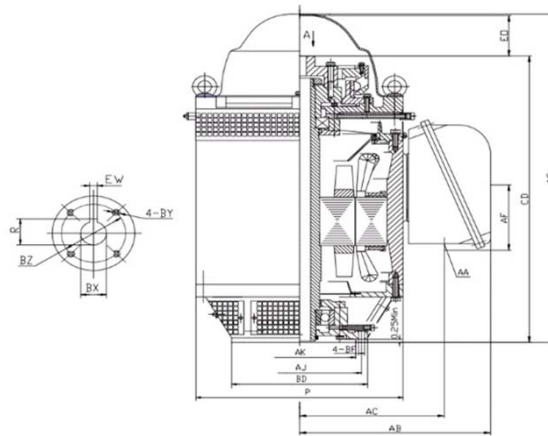
**INCLUDES INSULATED BEARING MOUNT - 40 HP AND ABOVE**

**HIGH THRUST DESIGN**

**THREE PHASE, OPEN DRIP PROOF (WP1) ENCLOSURE**

**NON-REVERSE BALL TYPE RATCHET**

**COUPLING INCLUDED**



**DIMENSIONS**

HP	RPM	Frame	MOUNTING DIMENSIONS													
			BD	AJ	AK	BF	BX	BZ	EW	R	BY	CD	E0 >	AC	AA	AF
10	1750	215TP	10.00	9.125	8.25	0.44	1.00	1.38	0.25	1.114	10-32	17.56	4.06	10.60	3" NPT	5.83

OVERALL DIMENSIONS			BEARINGS	
P	AB	AG	UPPER	BOTTOM
15.20	14.06	21.62	6210	7310B

**COUPLING:** Motor comes with a 1.0" coupling. You may select a different size coupling at no extra charge.

**BEARING LUBRICATION:** The bottom bearing comes lubricated with Mobil Polyrex EM Polyurea Grease.





**V2-10D4-W21510A**

**VERTICAL HOLLOW SHAFT MOTOR**  
**NEMA PREMIUM EFFICIENCY**  
**INVERTER DUTY 20:1 VT**  
**INCLUDES INSULATED BEARING MOUNT - 40 HP AND ABOVE**  
**HIGH THRUST DESIGN**  
**THREE PHASE, OPEN DRIP PROOF (WP1) ENCLOSURE**  
**NON-REVERSE BALL TYPE RATCHET**

**PERFORMANCE DATA**

HP	RPM	Frame	Voltage	Frequency (Hz)	Full Load S.F.	Insulation Class	NEMA Design	Slip (%)	NEMA Code	Enclosure Type	IP Rating	Max. Ambient	Rating CONT
10	1780	215TP	230/460	60	1.15	F	B	1.1	H	WP1	23	40° C	S1

Amps (460V)		Efficiency (%)				Power Factor			Torque (ft-lb)			Down Thrust	Angular Contact Bearing	Radial Ball Bearing	Connection	Weight (lbs.)
FLA	LRA	100%	75%	50%	Min.	100%	75%	50%	FLT	LRT %	BDT %	2500	UPPER	BOTTOM	12 Lead 2Δ/Δ	366
12.2	85.0	91.7	91.8	90.2	90.2	0.84	0.79	0.70	29.0	220	250		6210	7310B		

**NAME PLATE**

				<b>VERTICAL HOLLOW SHAFT ELECTRIC MOTOR</b>				<b>CONNECTION DIAGRAMS</b> <b>208-230V</b>  <b>460V</b> 			
<b>INVERTER DUTY 20:1 VT</b>				<b>HIGH THRUST DESIGN</b>							
MODEL		V2-10D4-W21510A		PHASE		3 Hz 60					
HP	10	FRAME	215TP	VOLTS		230/460					
DESIGN	B	CODE	H	AMPS		24.4/12.2					
NOM EFF.	91.7	P.F.	0.84	INSULATION CLASS		F					
RATING CONT	S1	S.F.	1.15	MAX AMB.	40° C	WEIGHT	366 LBS.				
DOWN THRUST		2500		ENCLOSURE TYPE		WP1					
UPPER BEARING		6210		BOTTOM BEARING		7310B					
LUBRICATION		MOBILE POLYREX EM		LUBRICATION		MOBILE POLYREX EM					
NON-REVERSE RATCHET - BALL TYPE				SERIAL NO.							
Specifically designed for use on deep well turbine pump applications. Hernando, Mississippi								PART WIND START CAPABLE @ 230V			

**APPLICATIONS:**

Specifically designed for use on deep well turbine pump applications. The coupling is equipped with a non-reverse ratchet, which prevents motor rotation from backspin at shutdown. These motors are built to NEMA standards and have special bearing arrangements to carry heavy thrust loads.